

WILDFIRE DOB

1/10 4WD ELECTRIC COMPETITION TOURING CAR KIT

SETUP SHEET

Am0



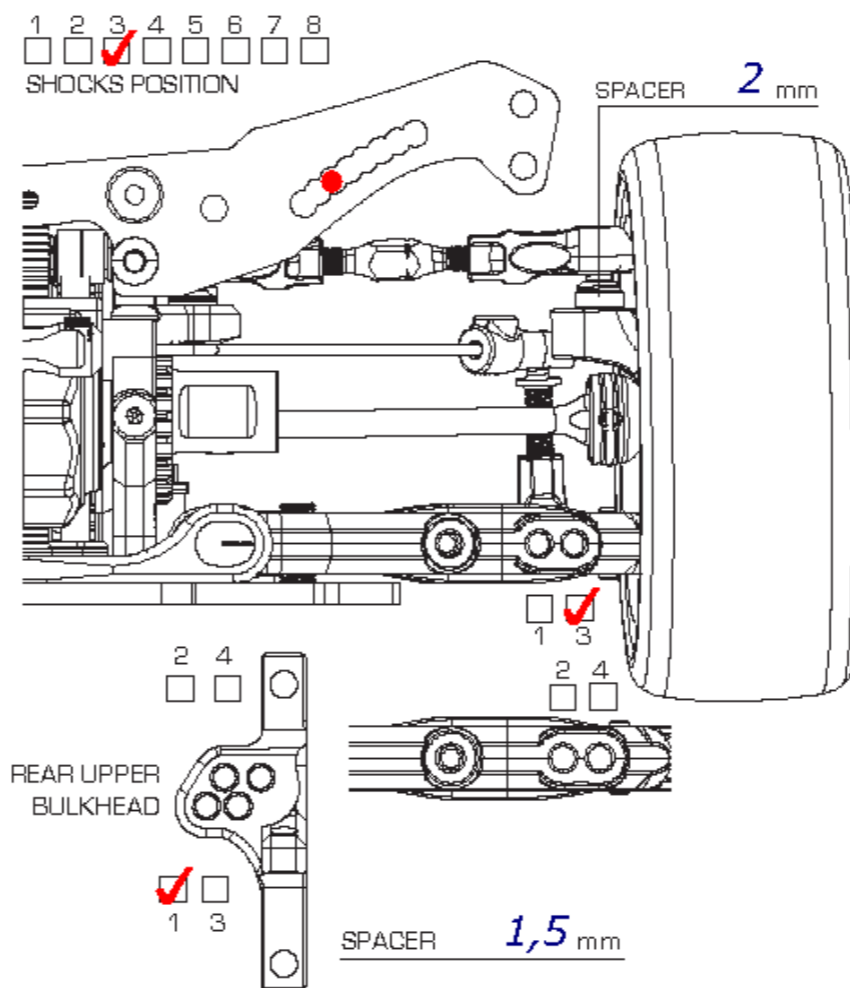
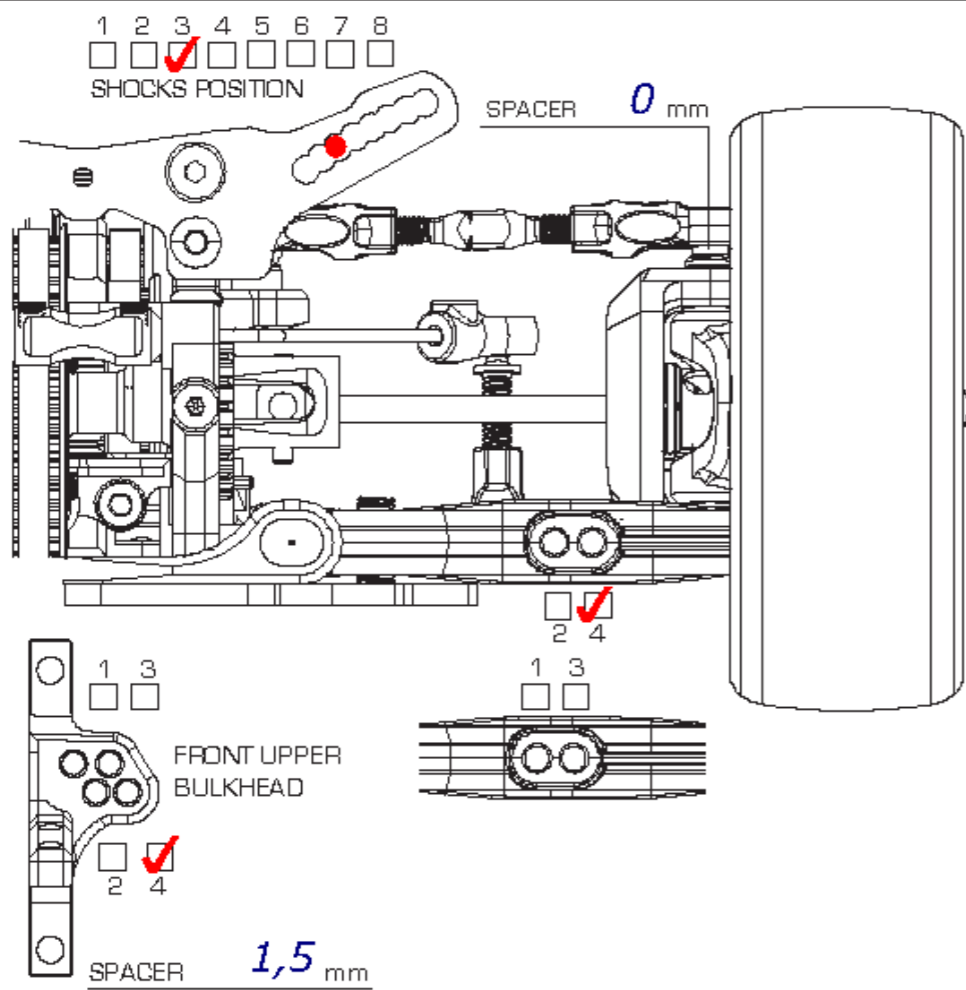
DRIVER *arnaud soulignac* DATE *13-15 may*

TRACK *riccione ETS* RESULT *q 26 F 28*

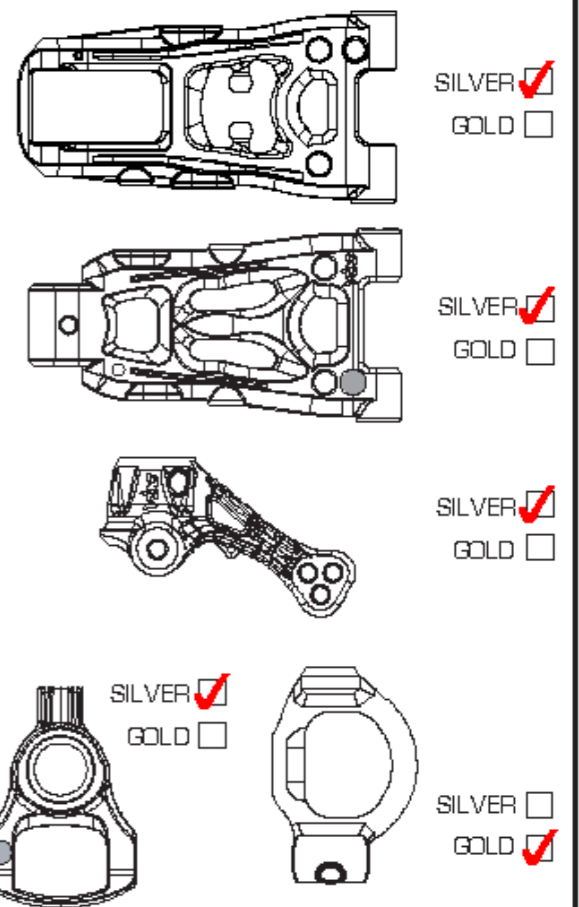
ASPH/ALT / CARPET INDOOR / OUTDOOR BEST LAP *19.6*

HUMIDITY TRACK TEMP AIR TEMP

GRIP LOW MEDIUM HIGH SURFACE BUMPY MEDIUM SMOOTH



COMPOSITES

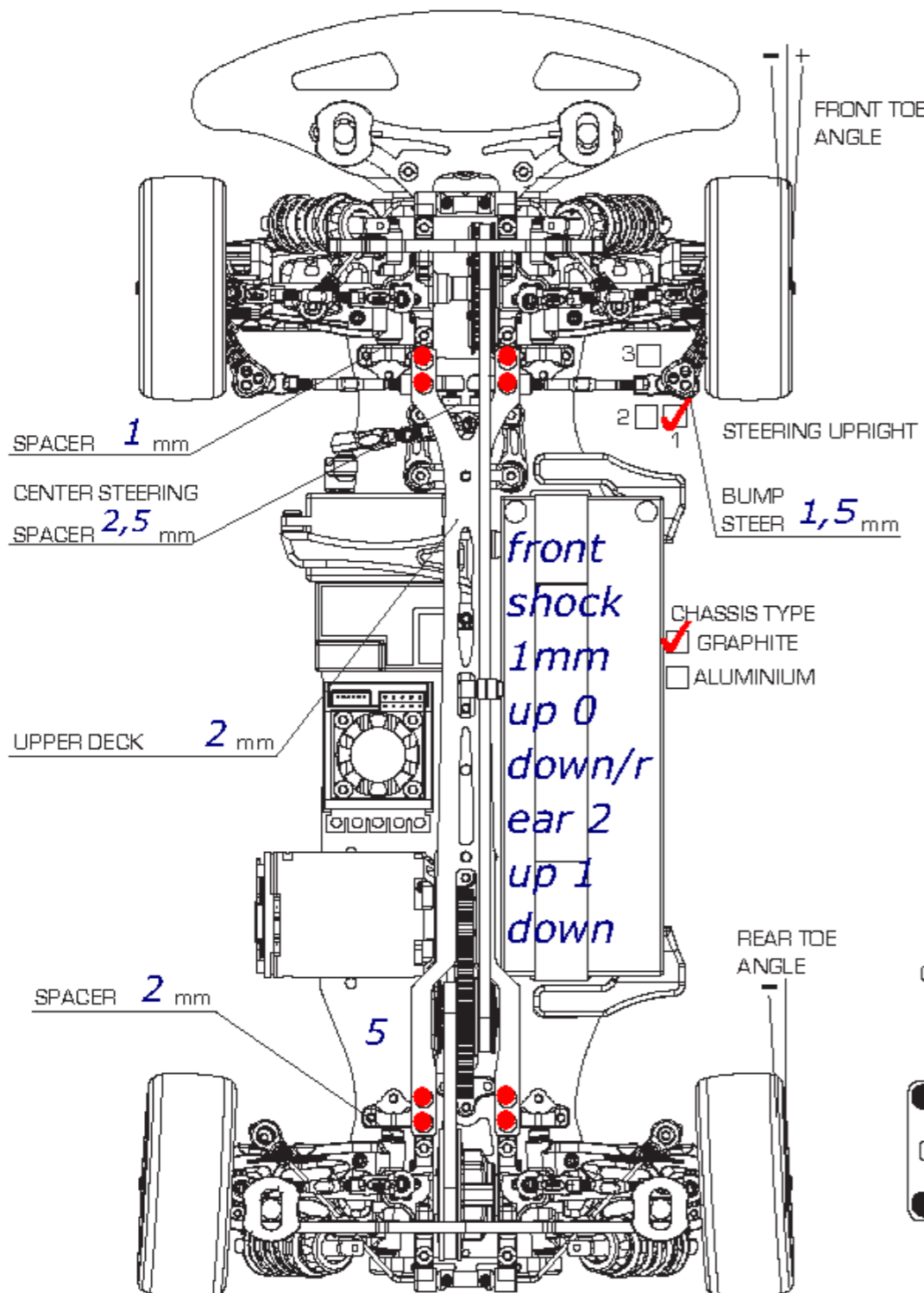


FRONT

GROUND CLEARANCE	<i>5.4</i> mm	DROOP	<i>5.4 under arm</i> mm
CAMBER ANGLE	<i>2</i> °	TOE ANGLE	<i>1</i> °
CASTER ANGLE	<i>4</i> °	FRONT DRIVE DIFF (OIL)	<i>y/DIRECT</i> <input checked="" type="checkbox"/>
STABILIZER	1.2 <input checked="" type="checkbox"/> 1.3 <input type="checkbox"/> 1.4 <input type="checkbox"/>	WHEEL SPACER	<i>0</i> mm
SUSPENSION SHIM (FF)	<i>0</i> mm	SUSPENSION SHIM (FR)	<i>0</i> mm
SUSPENSION MOUNT (FF)	<i>+3</i>	SUSPENSION MOUNT (FR)	<i>1</i>
AXLE TYPE / SIZE	TWOPIECE JOINT / SINGLE JOINT (STEEL/ALUM) mm		

REAR

GROUND CLEARANCE	<i>5.8</i> mm	DROOP	<i>0.7 under hub</i> mm
CAMBER ANGLE	<i>1,5</i> °	TOE ANGLE	<i>2,5</i> °
REAR DRIVE	DIFF (OIL <i>3K</i>)	DRIVE CUP	ALUMINIUM / STEEL <input checked="" type="checkbox"/>
STABILIZER	1.2 <input checked="" type="checkbox"/> 1.3 <input type="checkbox"/> 1.4 <input type="checkbox"/>	WHEEL SPACER	<i>0</i> mm
SUSPENSION SHIM (FF)	<i>0</i> mm	SUSPENSION SHIM (FR)	<i>0</i> mm
SUSPENSION MOUNT (FF)	<i>1</i>	SUSPENSION MOUNT (FR)	<i>+3</i>
AXLE TYPE / SIZE	TWOPIECE JOINT / SINGLE JOINT (STEEL/ALUM) mm		



FRONT

SHOCK LENGTH	<i>9</i> mm
PISTON	3 4 hole(s) / OTHERS <i>pss</i>
OIL	<i>450</i>
SPRING	<i>2.5-2.8 xray</i>
OIL SEALER CAP	<input checked="" type="checkbox"/> / MS / M / H
REBOUND	<i>0</i> %
NOTES	<i>no hole on caps</i>

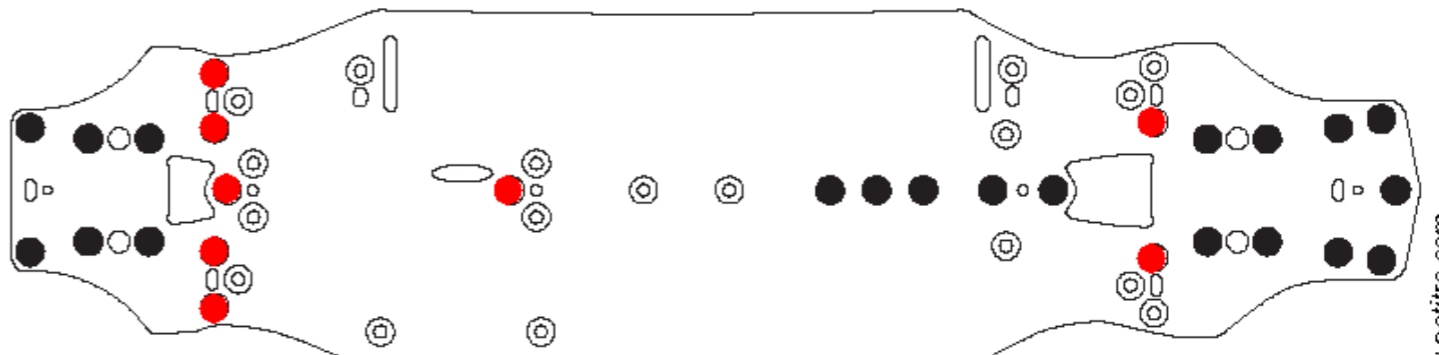


REAR

SHOCK LENGTH	<i>9</i> mm
PISTON	3 4 hole(s) / OTHERS <i>pss</i>
OIL	<i>450</i>
SPRING	<i>2.5-2.8 xray</i>
OIL SEALER CAP	<input checked="" type="checkbox"/> / MS / M / H
REBOUND	<i>0</i> %
NOTES	<i>no hole on caps</i>

MOTOR	<i>13,5T ets</i>	SPUR	<i>102 T</i>	PITCH	PINION	<i>43 T</i>
TIRE	<i>volante</i>	TIRE INSERT	WHEEL			
TIRE ADDITIVE	<i>hudy</i>	BODY	<i>montes 2.0</i>	REAR WING <i>std</i>		
ESC	<i>fleta euro</i>	BATTERY	<i>IP SHV</i>			
REMARKS	<i>front solid brass , top deck cut on middle</i>					

Chassis Flex Setting (Fill in the Circle)



Source:

A. Soullignac

vbc racing

www.PetitRC.com