

Arn0

TE03 Setup Sheet

Capricorn RC

Race	<i>practice</i>
Track	<i>Angiolinominispeedway</i>
Name	<i>Riccardo Fenili</i>
City	<i>Remedello (BS) Italy</i>
Date	<i>07/02/2016</i>

Air Temp.	<i>8°C</i>	Track Temp.	<i>12°C</i>
Qualifying	Best Lap <i>10.835</i> sec	Final Position	
		Race Length	

TRACK CONDITION	
<input type="checkbox"/> Carpet	<input checked="" type="checkbox"/> Asphalt
<input type="checkbox"/> Bumpy	<input checked="" type="checkbox"/> Smooth
<input checked="" type="checkbox"/> Technical	<input type="checkbox"/> Mixed
<input type="checkbox"/> Low	<input checked="" type="checkbox"/> Medium
	<input type="checkbox"/> Outdoor
	<input type="checkbox"/> Fast
	<input type="checkbox"/> High

FRONT		REAR	
GEAR DIFF.		GEAR DIFF.	<i>5000</i> CST
<input type="checkbox"/>		<input checked="" type="checkbox"/>	

<input checked="" type="checkbox"/> SPOOL			
NUMBER OF GEAR			
<input type="checkbox"/> 2	<input type="checkbox"/> 4	<input type="checkbox"/> 2	<input checked="" type="checkbox"/> 4

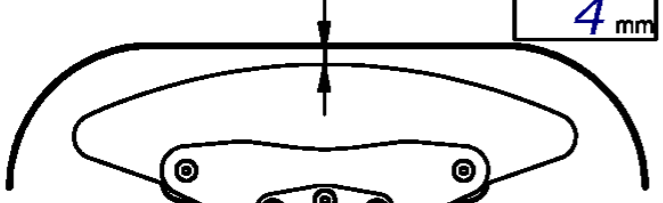
PINION	<i>32</i>	SPUR	<i>112</i>
INT. RATIO	<i>2.0</i>	RATIO	<i>7</i>

OIL	<i>400</i>	HOLE	<input type="checkbox"/> 2	<input type="checkbox"/> 3	<input checked="" type="checkbox"/> 4	OIL	<i>450</i>
HOLE DIAMETER	<i>std</i>					HOLE DIAMETER	<i>std</i>
SPRING	<i>vbc green</i>					SPRING	<i>vbc red</i>
REBOUND	<i>0</i>					REBOUND	<i>0</i>

<i>LRP G32</i>	TIRES	
	WHEEL	
<i>Hudy Carpet</i>	ADDITIVE	
<i>100%</i>	SURFACE	<i>100%</i>

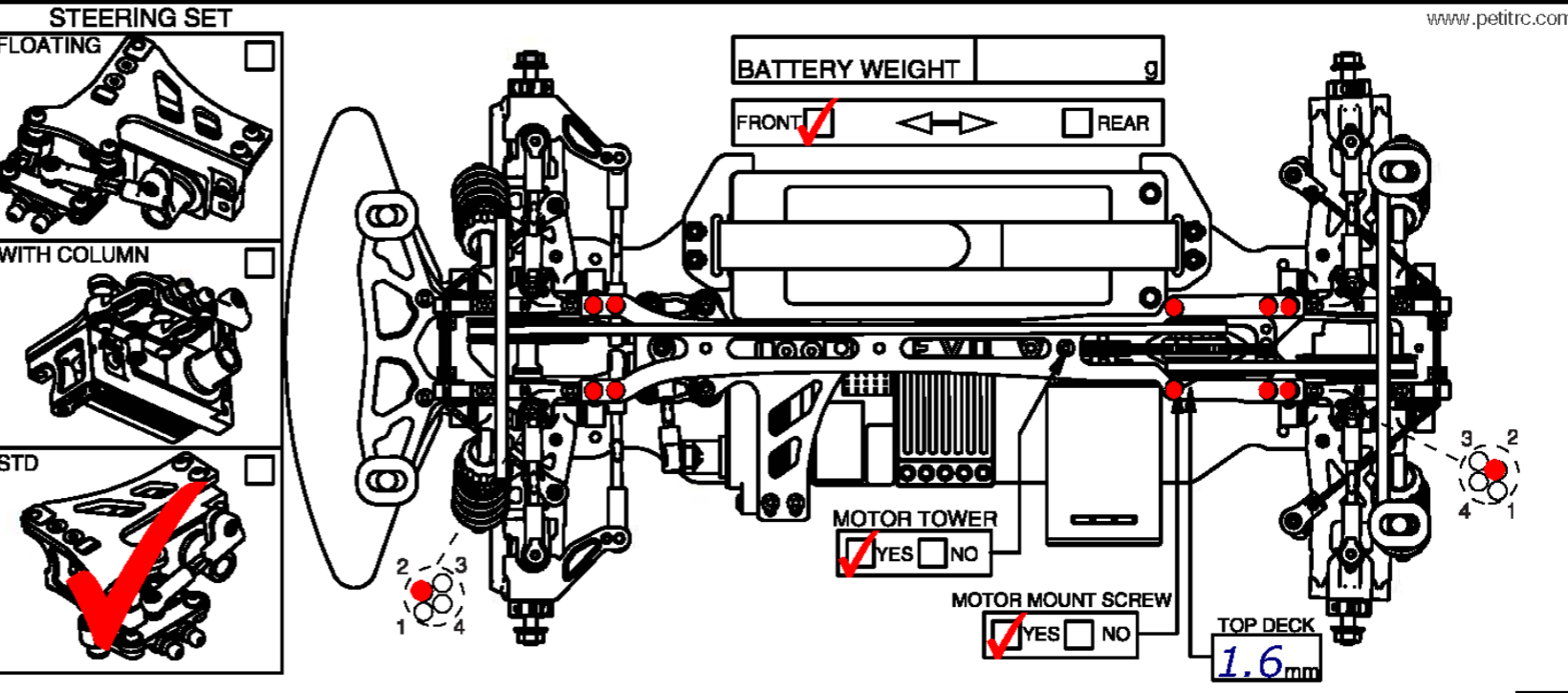
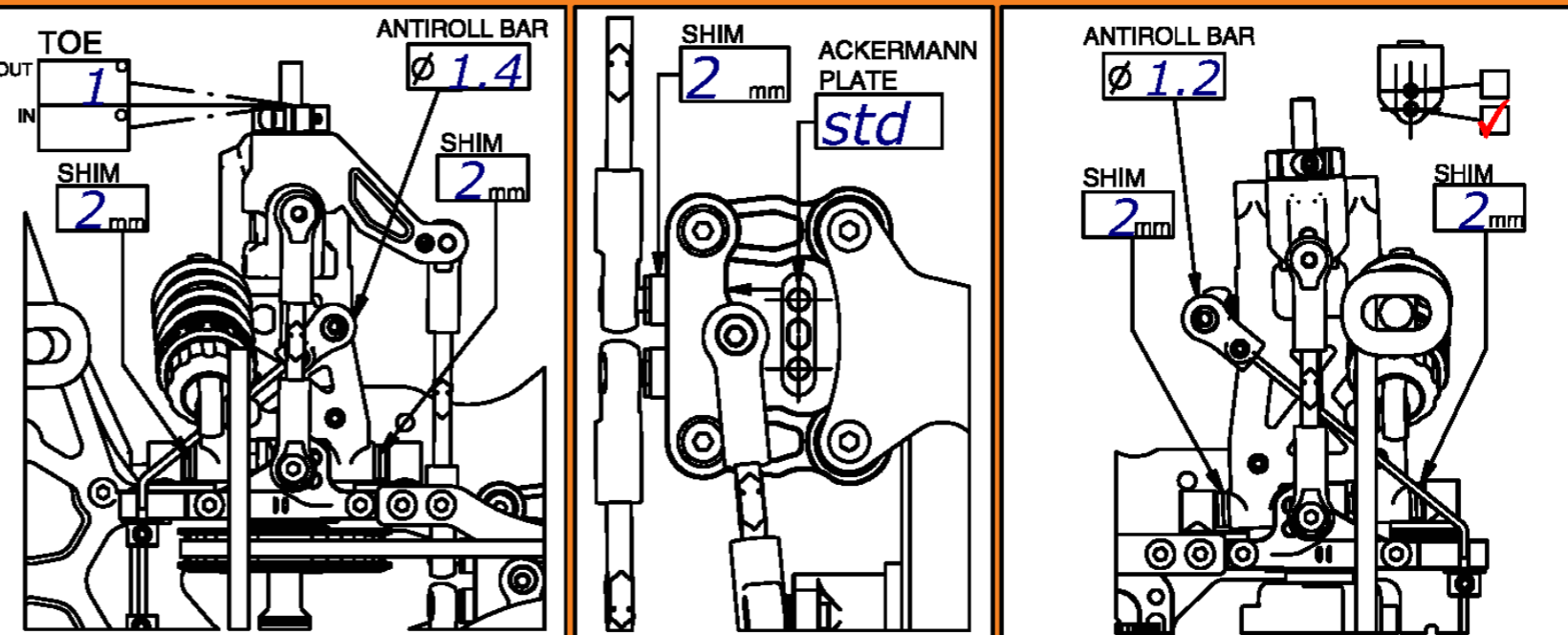
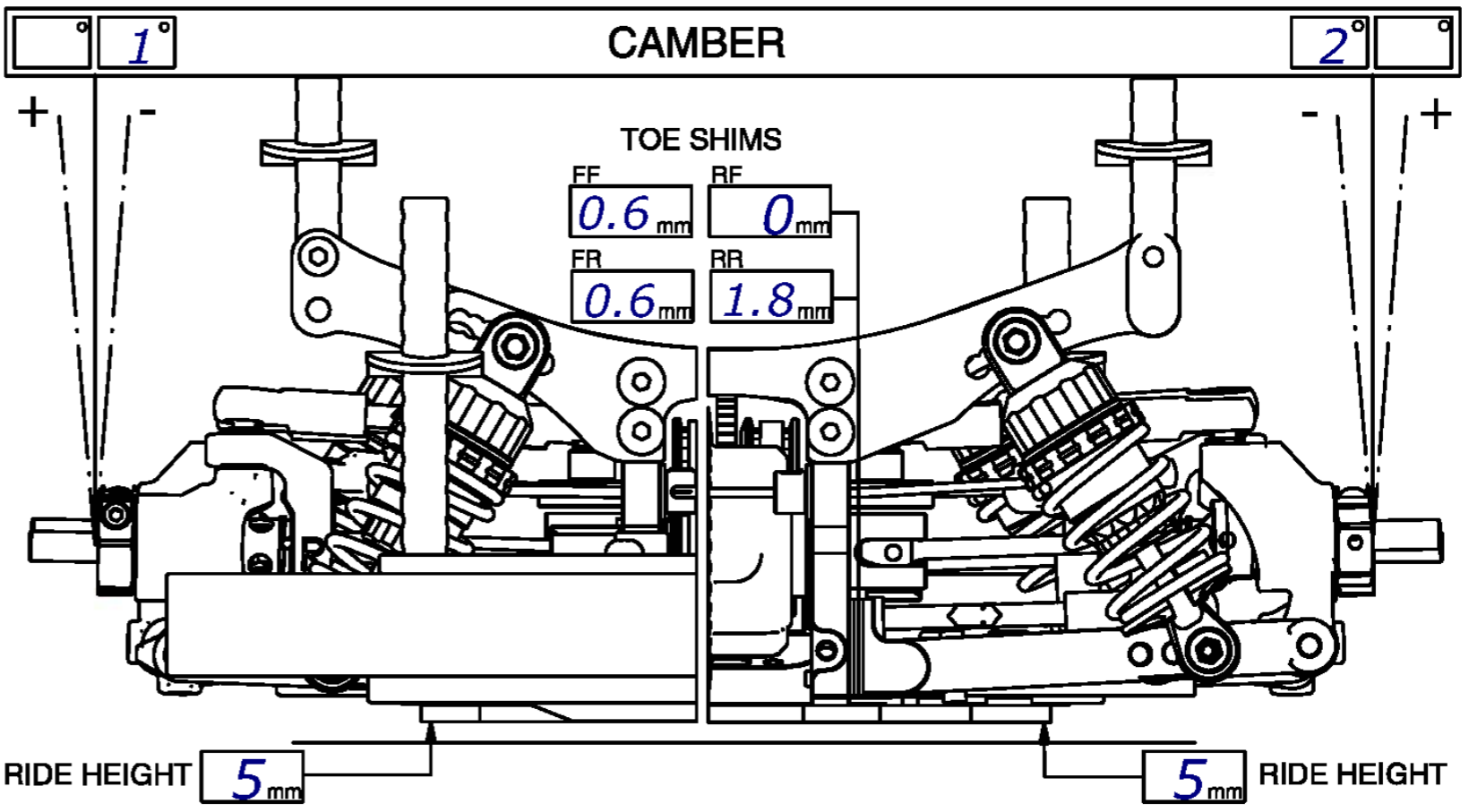
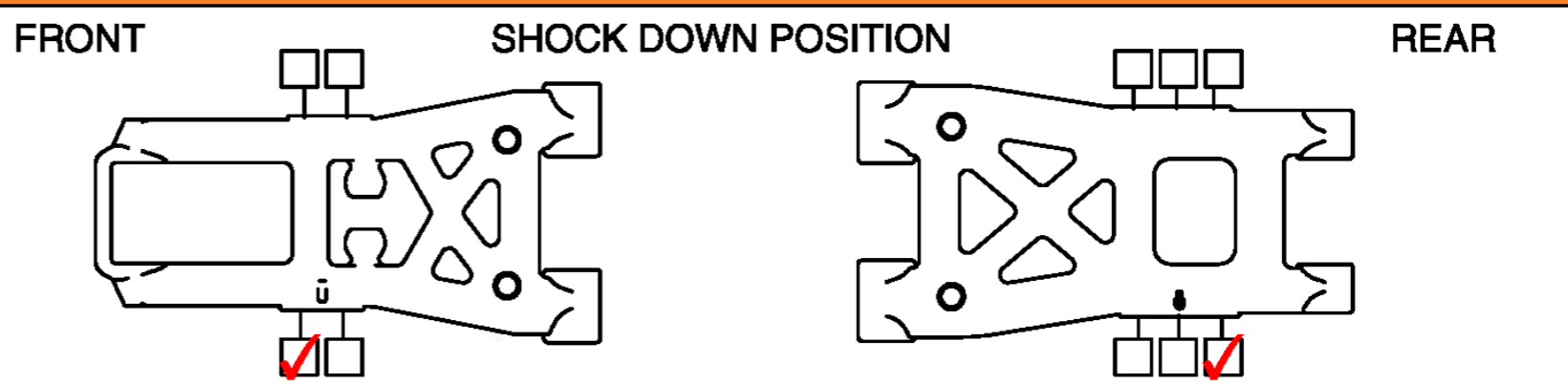
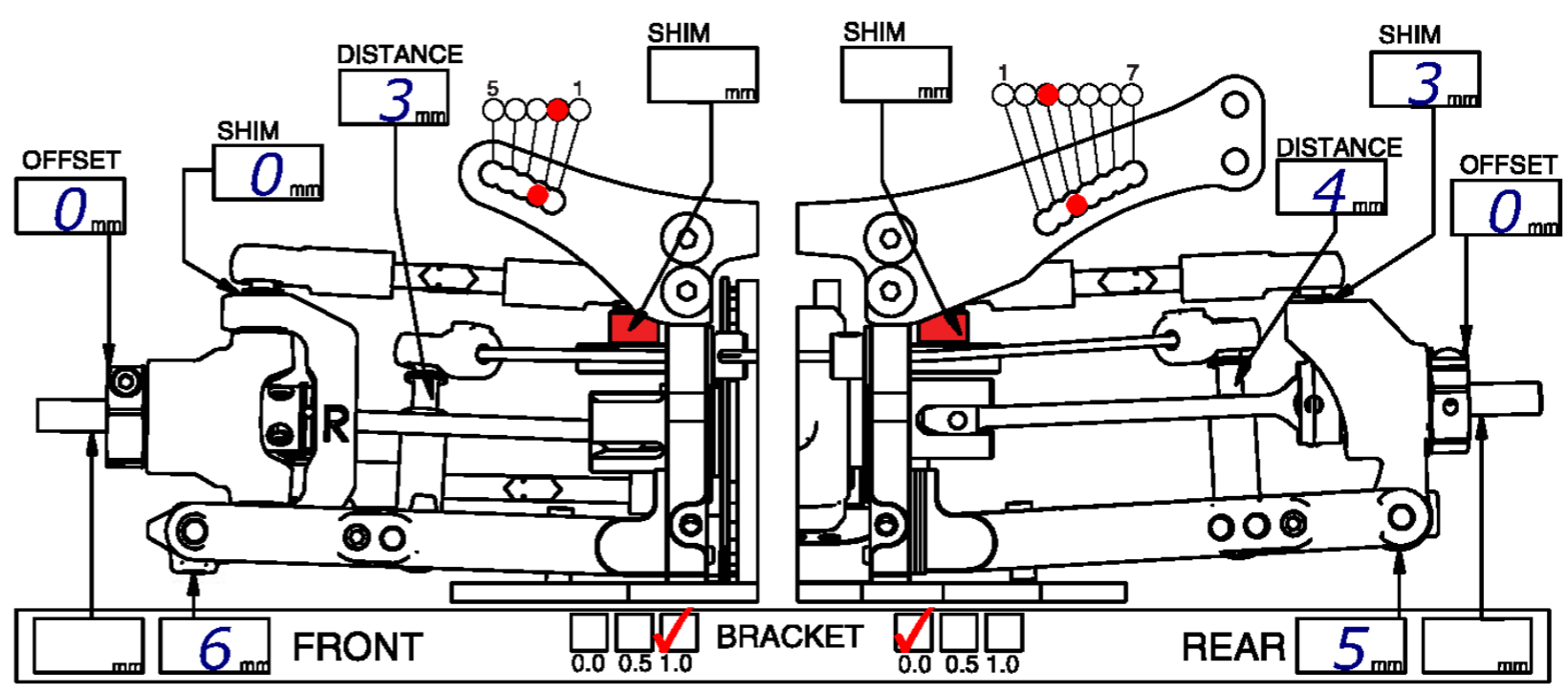
CHASSIS TYPE		
<input type="checkbox"/> Std	<input checked="" type="checkbox"/> XFlex	<input type="checkbox"/> Aluminum

BODY DISTANCE *4* mm



BODY	<i>Montech Nazda 2</i>
WING	<i>std</i>

Motor LRP X 20
ESC LRP Flow Works Team
Battery Extreme Power 4600 mA



Arn0

Made in Italy

Source:

A. Fenili



www.PetitRC.com