

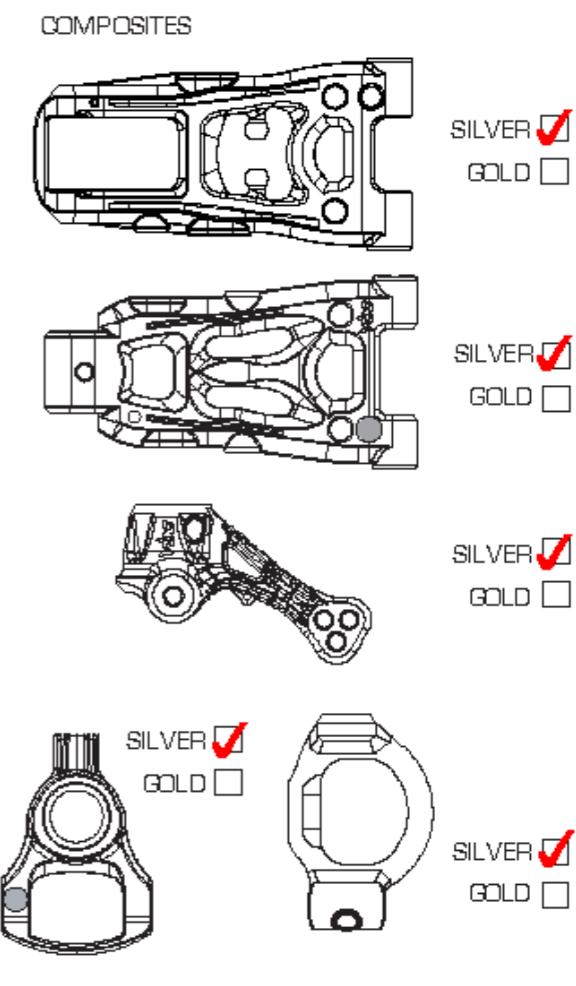
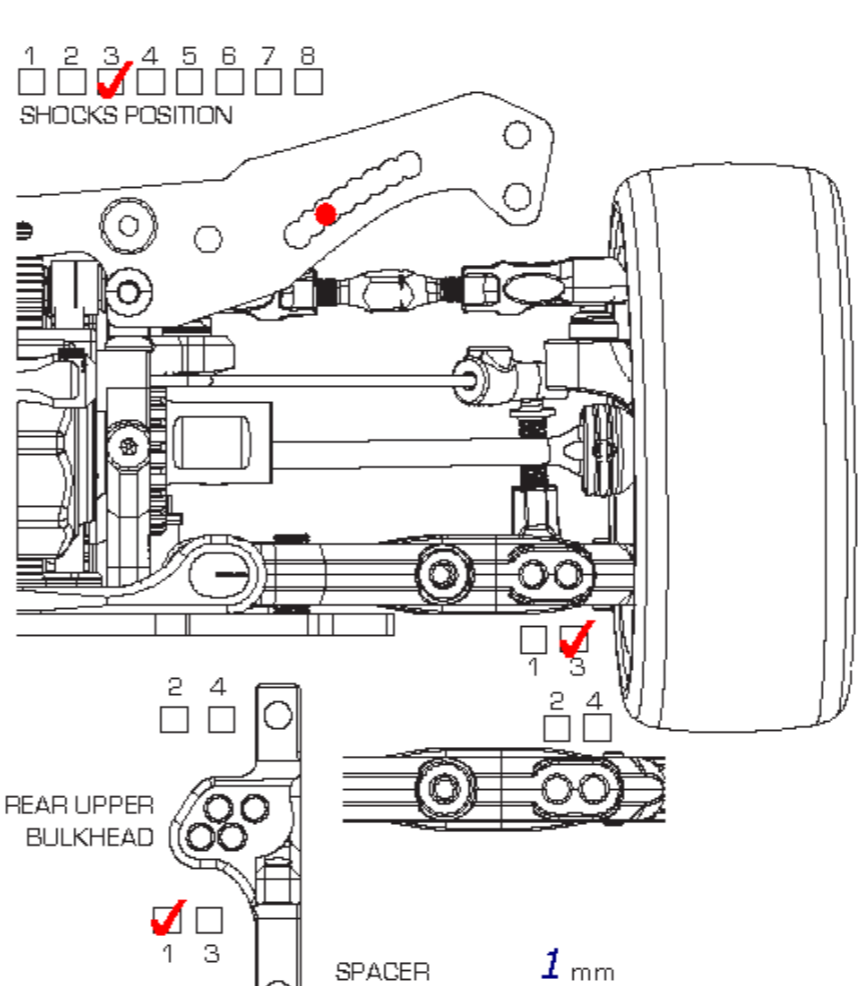
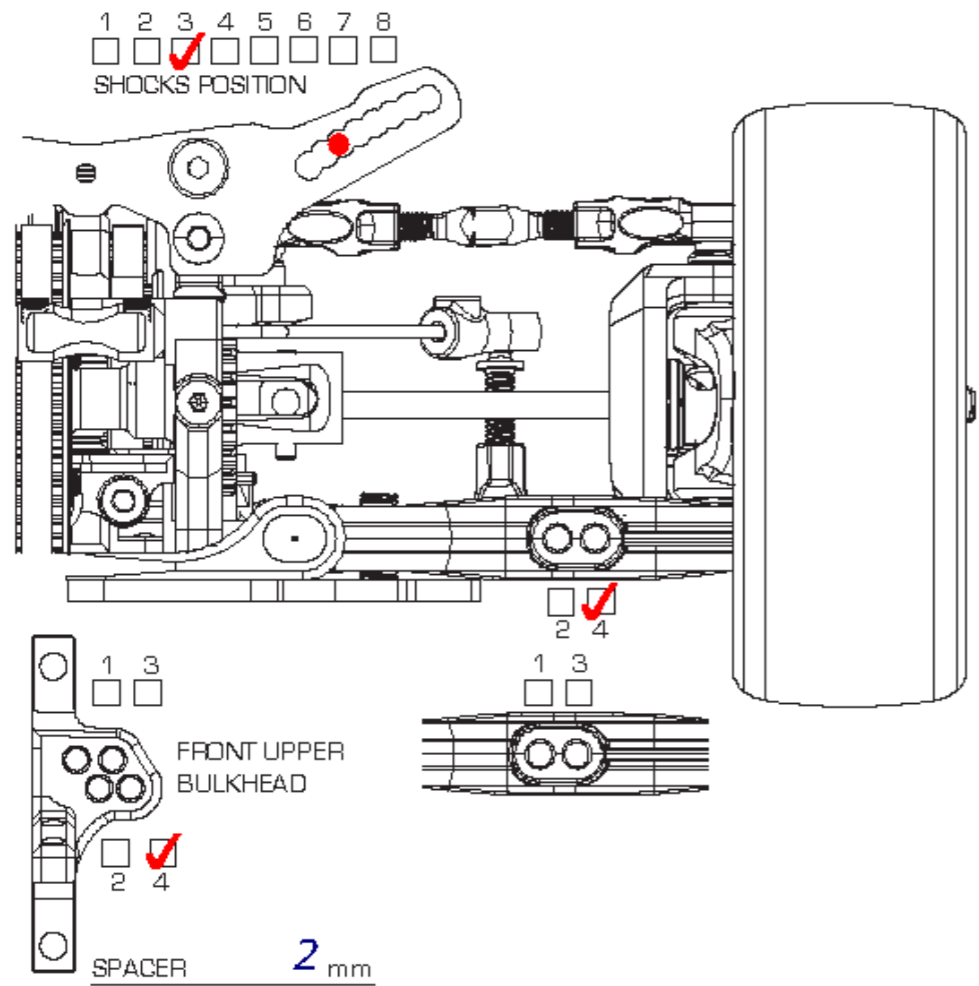
# WILDFIRE DOB

1/10 4WD ELECTRIC COMPETITION TOURING CAR KIT



## SETUP SHEET

Am0



**FRONT**

GROUND CLEARANCE 5.2 mm DROOP 5.2 mm

CAMBER ANGLE 1.5 ° TOE ANGLE 1 °

CASTER ANGLE \_\_\_\_\_ ° FRONT DRIVE DIFF (OIL) Y/DIRECT

STABILIZER 1.2  1.3 1.4 WHEEL SPACER 0 mm

SUSPENSION SHIM (FR) 0 mm SUSPENSION SHIM (FR) 0 mm

SUSPENSION MOUNT (FR) 2 Dot Out SUSPENSION MOUNT (FR) 1 Dot

AXLE TYPE / SIZE TWO-PIECE JOINT / SINGLE JOINT (STEEL/ALUM) 52 mm

**REAR**

GROUND CLEARANCE 5.4 mm DROOP 1 mm

CAMBER ANGLE 2 ° TOE ANGLE 2.5 °

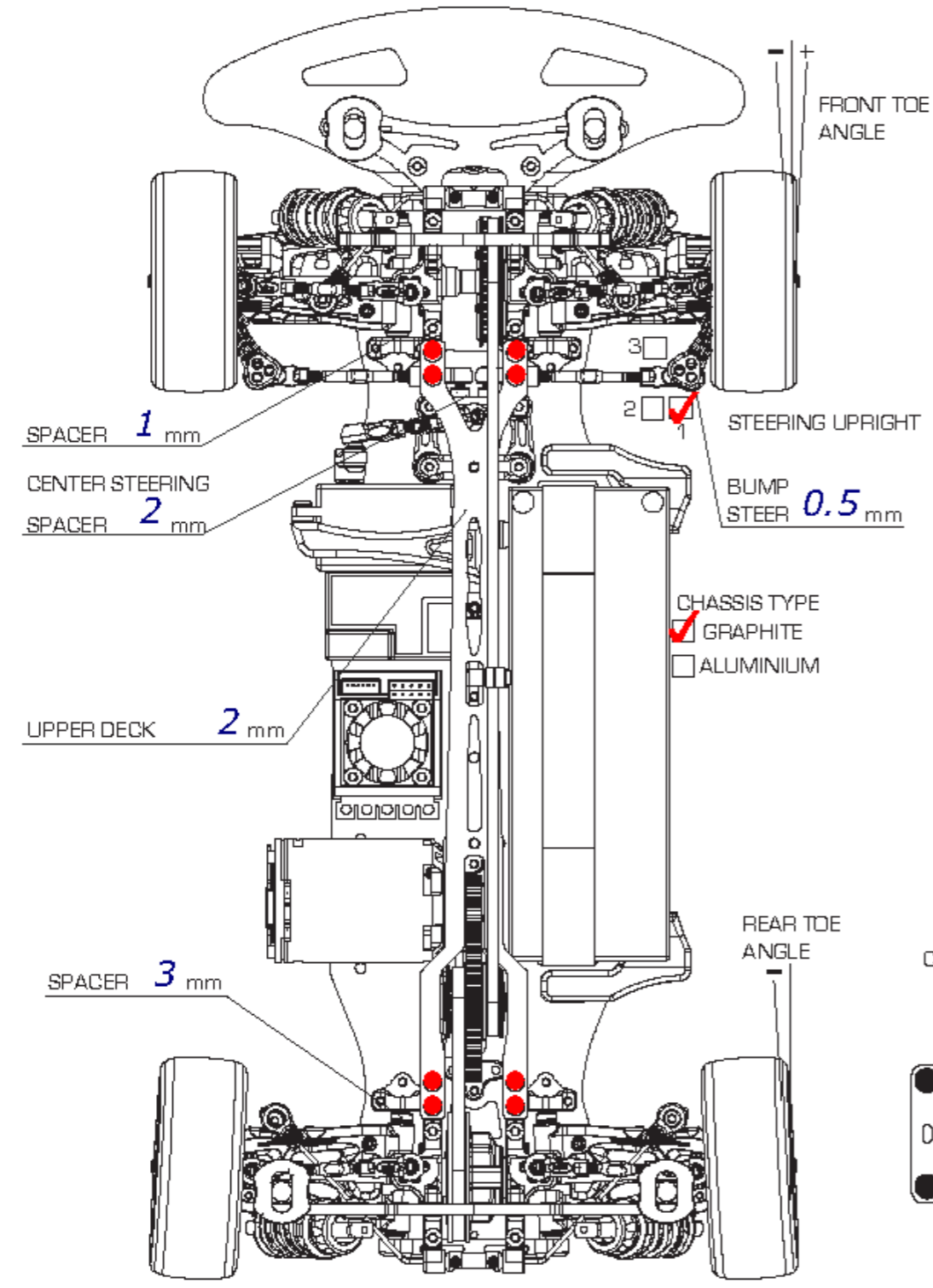
REAR DRIVE DIFF (OIL) 3000 DRIVE CUP ALUMINIUM / STEEL

STABILIZER 1.2  1.4 WHEEL SPACER 0 mm

SUSPENSION SHIM (FR) 0 mm SUSPENSION SHIM (FR) 0 mm

SUSPENSION MOUNT (FR) 1 Dot SUSPENSION MOUNT (FR) 3 Dot Out

AXLE TYPE / SIZE TWO-PIECE JOINT / SINGLE JOINT (STEEL/ALUM) 49 mm



**FRONT**

SHOCK LENGTH 10.8 mm

PISTON  4 hole(s) / OTHERS \_\_\_\_\_

OIL 500 Muchmore

SPRING VBC Red

OIL SEALER CAP S / S / M / H

REBOUND 20 %

NOTES Blue bladder

**REAR**

SHOCK LENGTH 10.8 mm

PISTON  4 hole(s) / OTHERS \_\_\_\_\_

OIL 500 Muchmore

SPRING VBC Red

OIL SEALER CAP S / S / M / H

REBOUND 20 %

NOTES Blue bladder

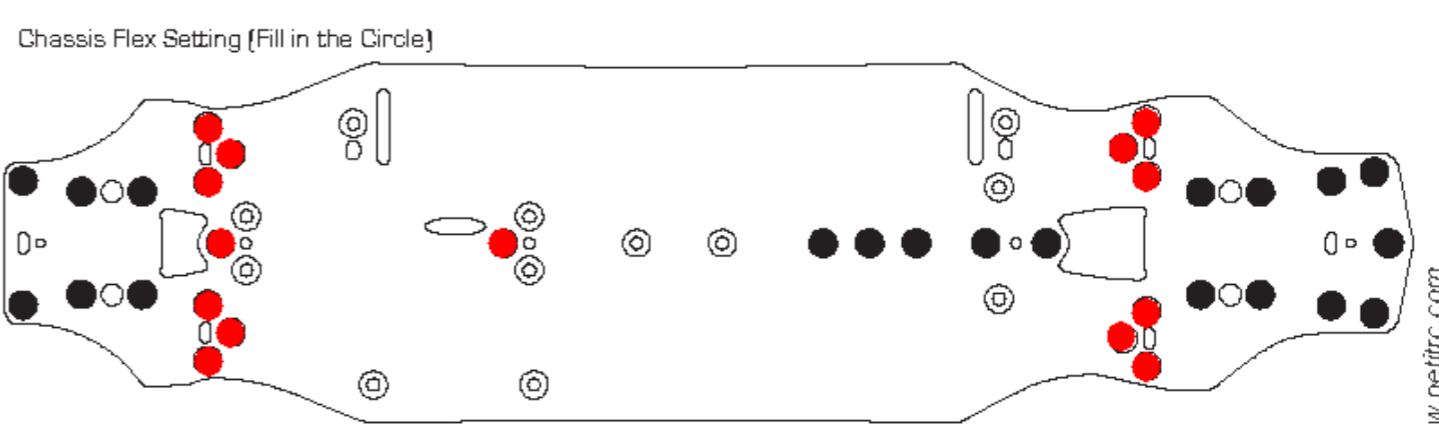
MOTOR Muchmore Fleta ZX SPUR 116 T PITCH \_\_\_\_\_ PINION 27 T

TIRE Volante 36 GOLD TIRE INSERT \_\_\_\_\_ WHEEL \_\_\_\_\_

TIRE ADDITIVE Volante Purple BODY Protoform LTC-R LW REAR WING Roche HD

ESC Muchmore Fleta Pro BATTERY Silverback Spiral II Low Profile

REMARKS Use D-05-VBC-0229 and D-05-VBC-0230 to tune to different tracks.



Source:

*R. Maker*

*vbc racing*

***www.PetitRC.com***