

SET-UP SHEET

XRAY XI'16

RACE: Basic CARPET Set-Up
 TRACK:

NAME:
 CITY / COUNTRY:
 CONTACT:

DATE:

QUALIFYING POSITION	BEST LAP TIME /min	FINAL POSITION	RACE LENGTH /min

TRACK

TRACK SURFACE: CARPET ASPHALT
 TRACK LAYOUT: TECHNICAL MIXED FAST
 TRACTION: LOW MEDIUM HIGH

CENTER SHOCK ABSORBER

SPRING	OIL /cSt	REBOUND %
C2.2	600	0

PISTON: 2 HOLES 3 HOLES
 HOLES DIAMETER /φ: 1.1mm 1.2mm 1.3mm

SIDE TUBES: OIL /cSt: 10.000
 SIDE SHOCK: OIL /cSt:

FRONT	TIRES	REAR
Rubber	TIRES	Rubber
HUDY carpet gripper	ADDITIVE	HUDY carpet gripper
25min	ADDITIVE TIMING	25min
FRONT LEFT	ADDITIVE TREATED AREA	REAR LEFT
FRONT RIGHT		REAR RIGHT

DIFF SETTING

LOOSE MEDIUM TIGHT

GEARING

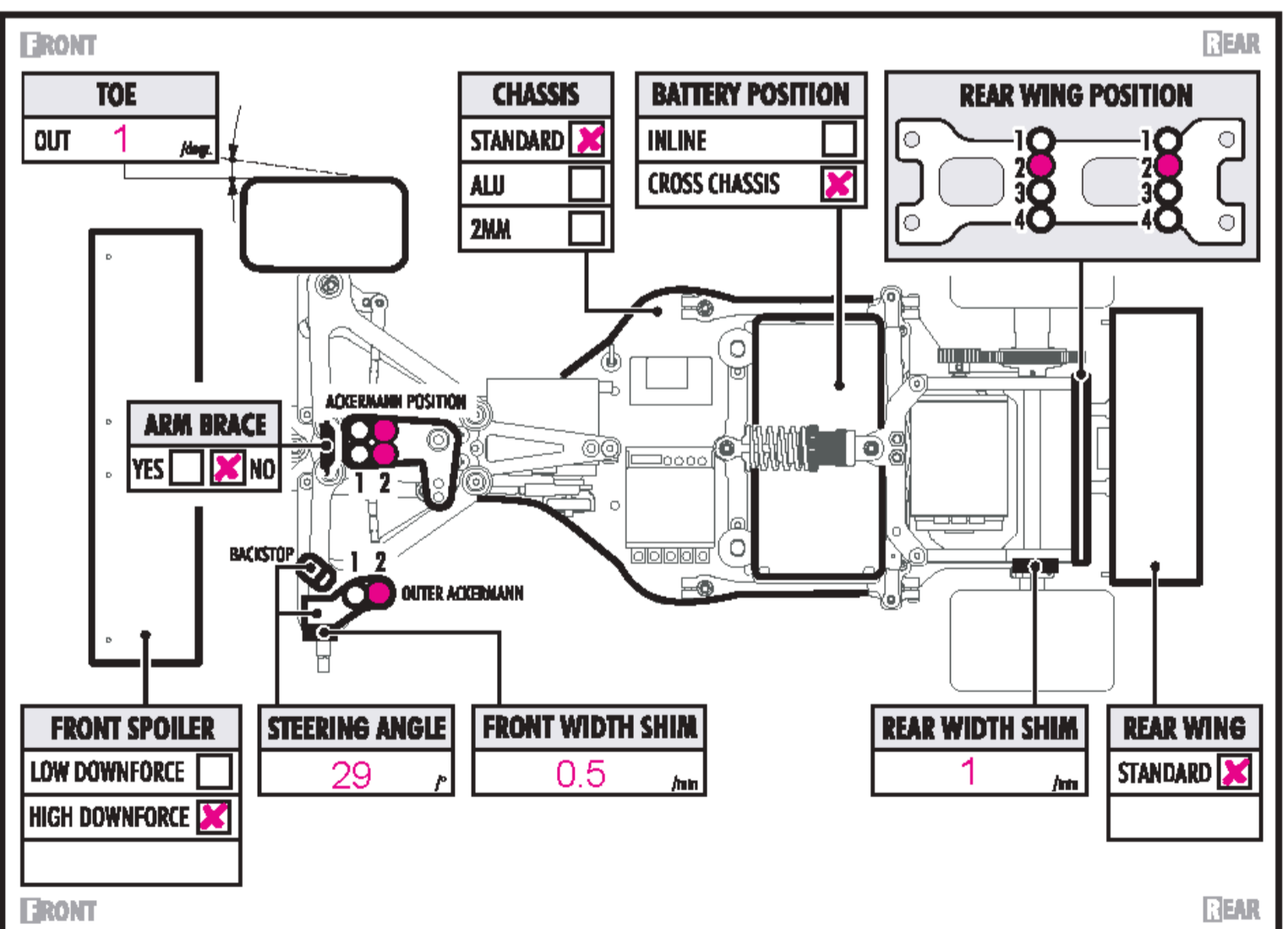
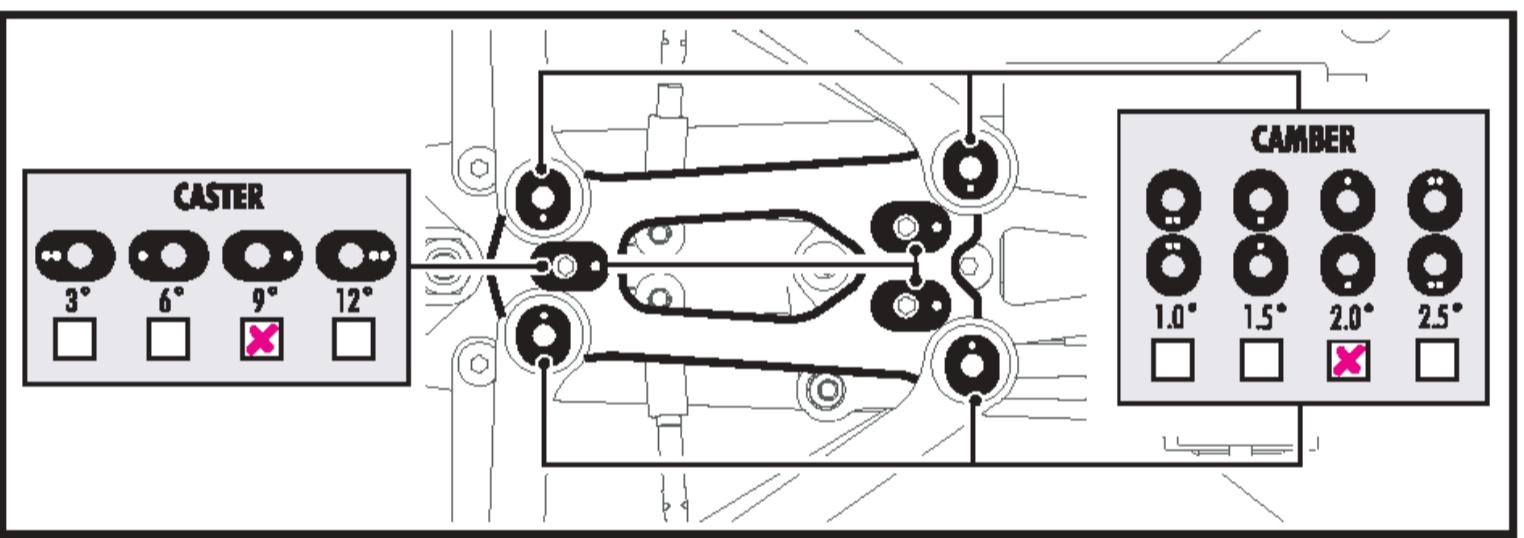
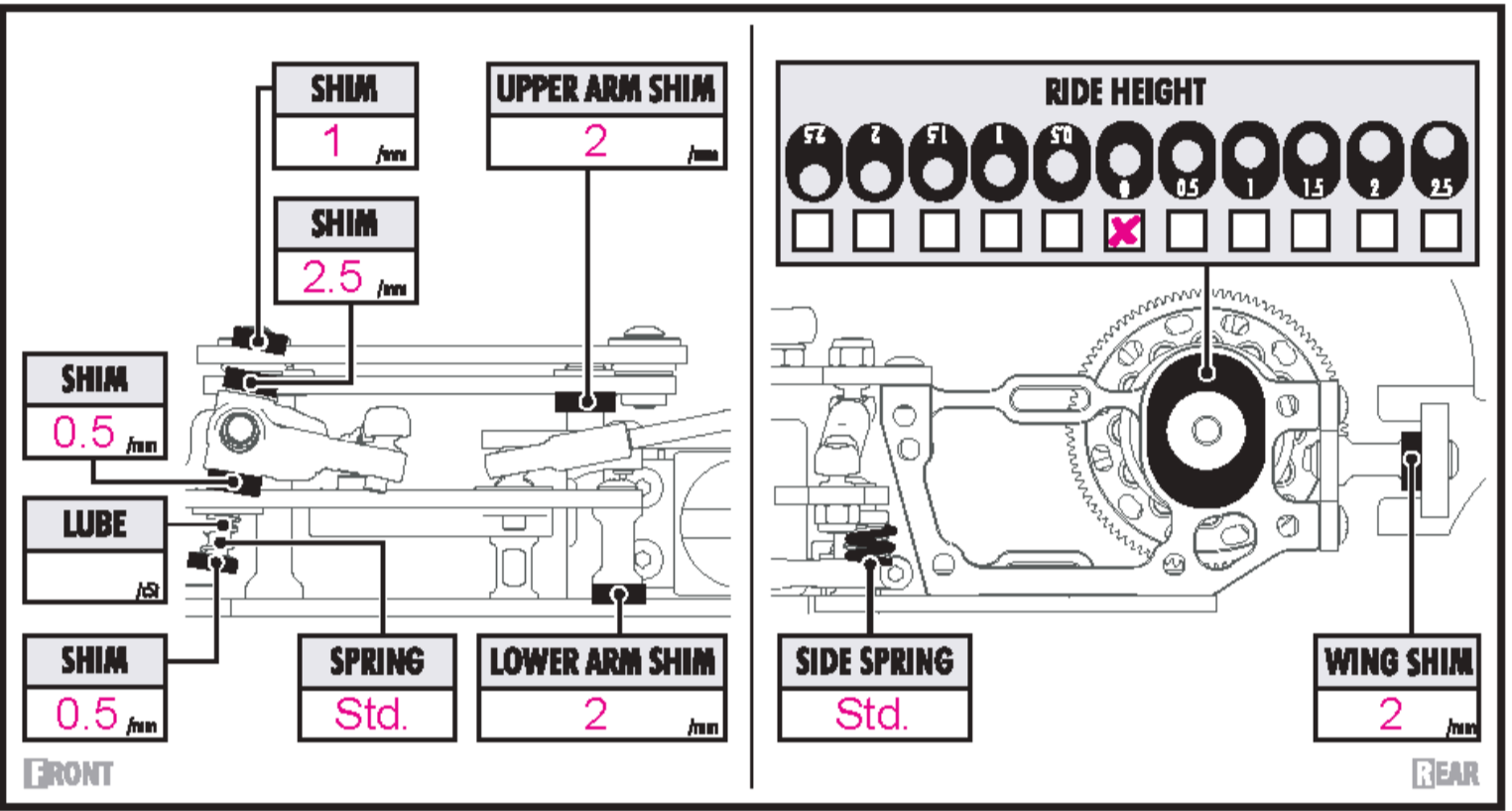
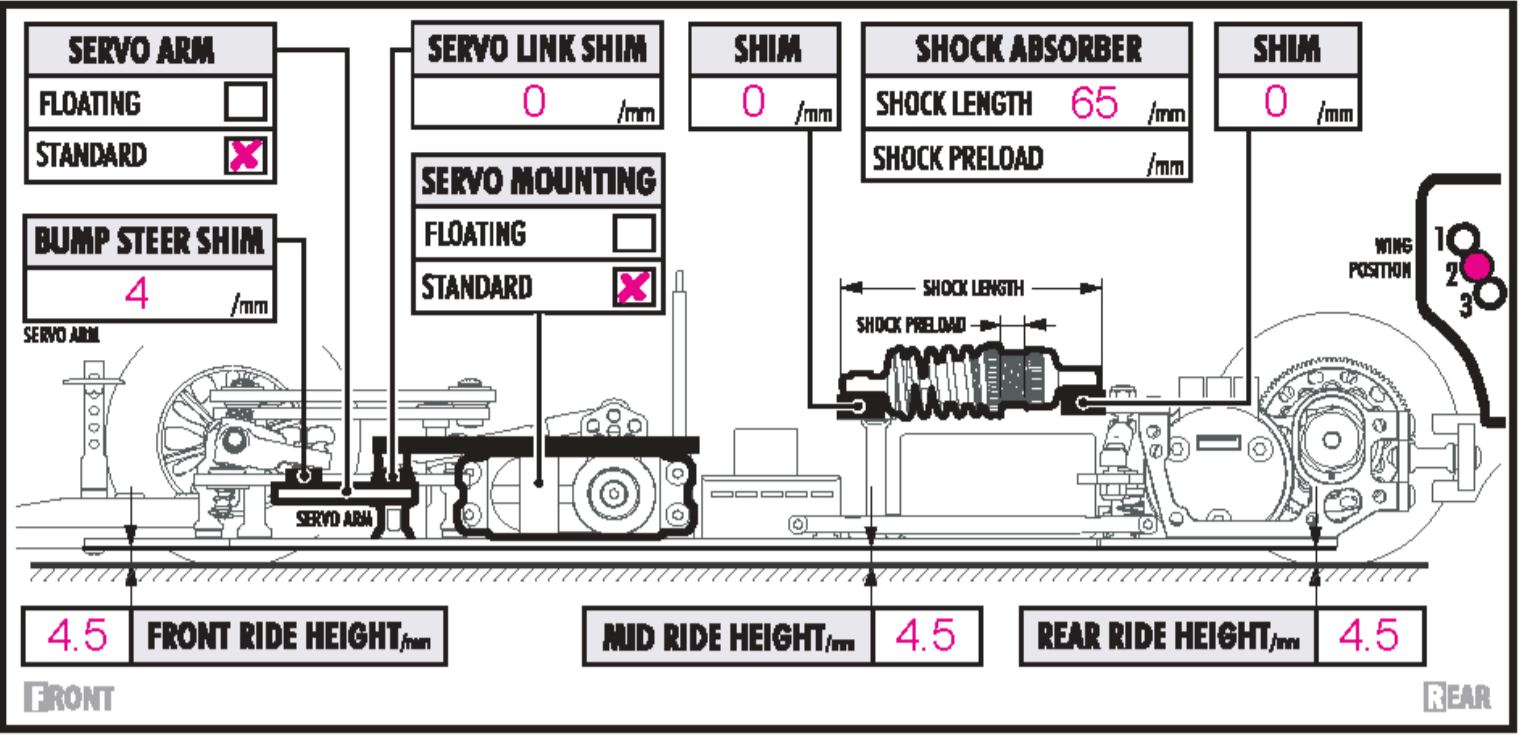
PINION /r: SPUR GEAR /r: FINAL DRIVE RATIO:

ELECTRONICS

MOTOR:
 SPEEDO:
 BATTERIES:

BODY

Standard



COMMENTS:

Source:



www.PetitRC.com