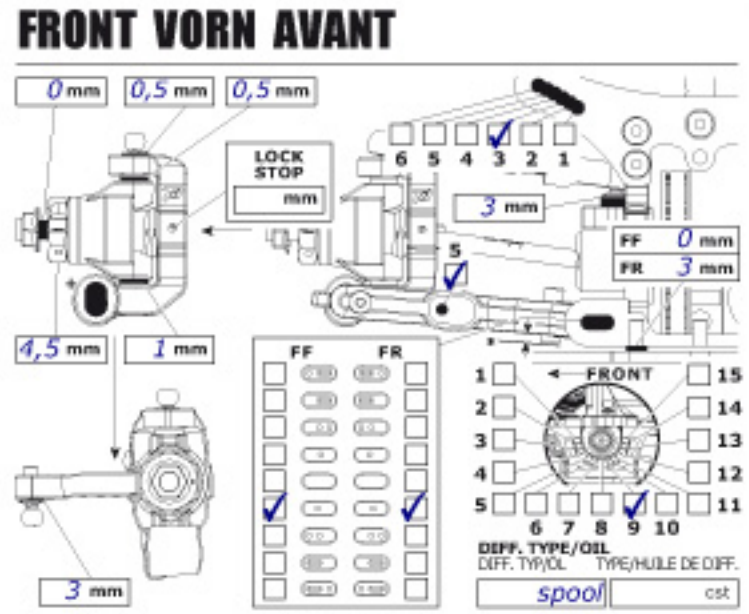


NAME: **Michael Spiering** DATE: **15.05.2016** AIR TEMP: **21** HUMIDITY: **dry**  
 EVENT: **ETS Italy** TRACK: **Road Race Riccione** TRACK SIZE:   
 COMPOSITION: **termac** TRACTION LEVEL: **low/medium** SURFACE: **bumpy**

**FRONT VORN AVANT**

RIDE HEIGHT: **5,2 mm**  
 CAMBER ANGLE: **1,8°**  
 CASTOR ANGLE: **4°**  
 TOE IN/OUT: **1°**  
 WISHBONE DROOP: **5,4 mm**  
 SPOOL OUTDRIVES: **3 mm**  
 PLASTIC:  STEEL:

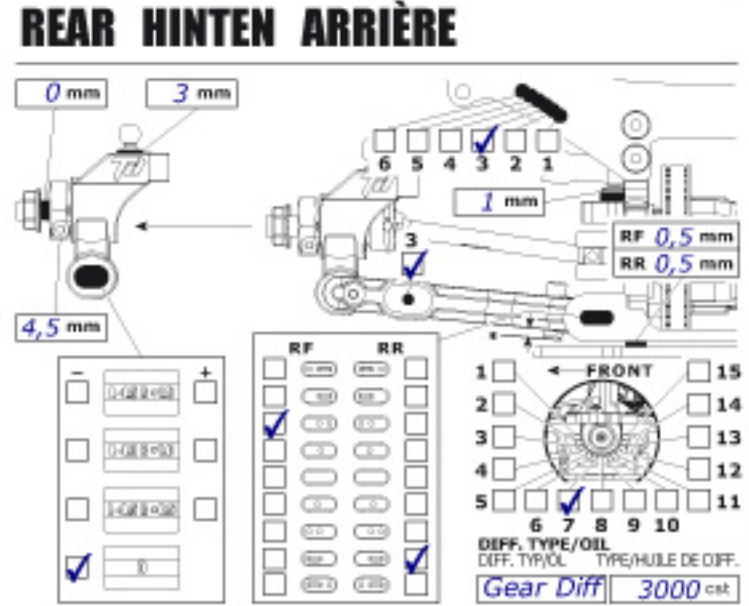


**SHOCKS DÄMPFER AMORTISSEURS**

FRONT REAR  
 SPRINGS: **HPI Silver** | **HPI Silver**  
 REBOUND: **20%** | **20%**  
 PRELOAD: **5,6 mm** | **4,6 mm**  
 OIL WT.: **500 cst** | **450 cst**  
 PISTON: **3x1,2** | **3x1,2**  
 LENGTH: **11,8 mm** | **11,8 mm**  
 O-RINGS:  HIGH |  LOW  
 COLOUR: **clear**  
 BLADDER:  EMULSION |   
 FOAM:  SCREW |

**REAR HINTEN ARRIÈRE**

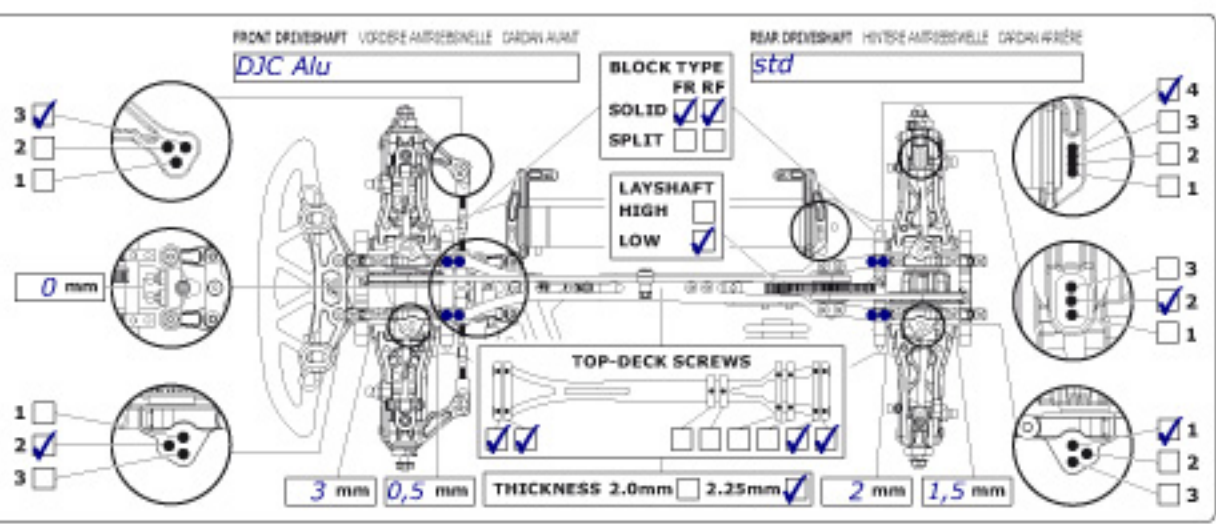
RIDE HEIGHT: **5,4 mm**  
 CAMBER ANGLE: **2°**  
 WISHBONE DROOP: **4,4 mm**  
 OUTDRIVES: **Alloy**  
 STEEL:  ALLOY:



**TYRES REIFEN PNEUS**

FRONT REAR  
 BRAND: **Volante** | **Volante**  
 COMPOUND: **36** | **36**  
 INSERT: **handout** | **handout**  
 WHEEL: **handout** | **handout**  
 TREATMENT 1: **60** °C | **30** mins  
 NOTES: **Hudy Carpet. Stop heating 5 mins before start**

**MOTOR**: **MM 13,5**  
**SPUR GEAR**: **74**  
**PINION GEAR**: **32**  
**BATTERY**: **Trakpower 6400**  
**ESC**: **MM Fleta Euro**  
**BODY**: **Blitz LSF**  
**WING**: **Hard**



**RESULTS PLATZIERUNG RÉSULTAT** QUALIFYING POSITION: **32** FINAL POSITION: **31**  
 AVERAGE LAP: **20,113** BEST LAP: **19,760** RACE TIME: **5 min**



**HOBICO**



**[www.PetitRC.com](http://www.PetitRC.com)**