

SET UP

FLIQ SF2



RACE *Pegasus Masters* TRACK *Piding* DATE *15.11.2015*
 DRIVER *David Ehrbar* QUALIFYING POSITION *1*
 SURFACE: ASPHALT CARPET QUALIFYING TIME
 TRACTION: LOW MEDIUM HIGH STARTING POSITION *1*
 TRACK TEMP *24* AIR TEMP *24* FINAL POSITION *1*

GEAR RATIO			
SPUR GEAR	PITCH	48	TEETH 68
PINION	PITCH	48	TEETH 26
FINAL DRIVE RATIO		2.62	
ROLL OUT		mm	


ELECTRONICS

BATTERY
 BRAND _____ CAPACITY *shorty*

MOTOR
 BRAND *Hobbywing* TYPE *21.5t* TIMING _____

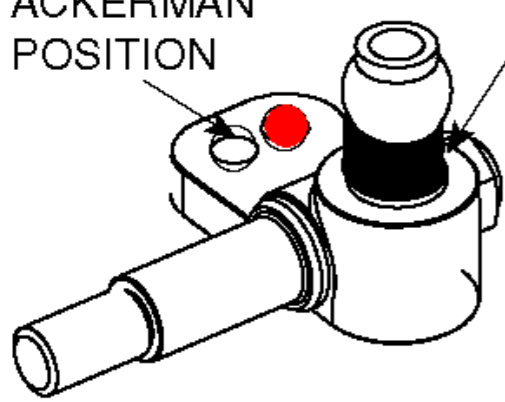
ESC
 BRAND *Hobbywing* TYPE *Justock*

CENTER SHOCK ABSORBER

OIL *3000* cst  Open Closed

CENTER SPRING (lbs)
 6.5 8 10 12
 14 16 18
 Other (brand/type): _____

STEERING BLOCKS

ACKERMAN POSITION  SHIMS *2* mm
 KING PIN INSERT 0 1 2 3 4

TIRES

TYPE: RUBBER FOAM

FRONT	REAR
<i>Ride</i>	<i>Ride</i>
<i>Hobbywing</i>	
<i>Justock</i> mm	mm
min	min
%	%

BRAND _____ HARDNESS _____ DIAMETER _____ ADDITIVE _____ ADDITIVE TIME _____ SURFACE _____

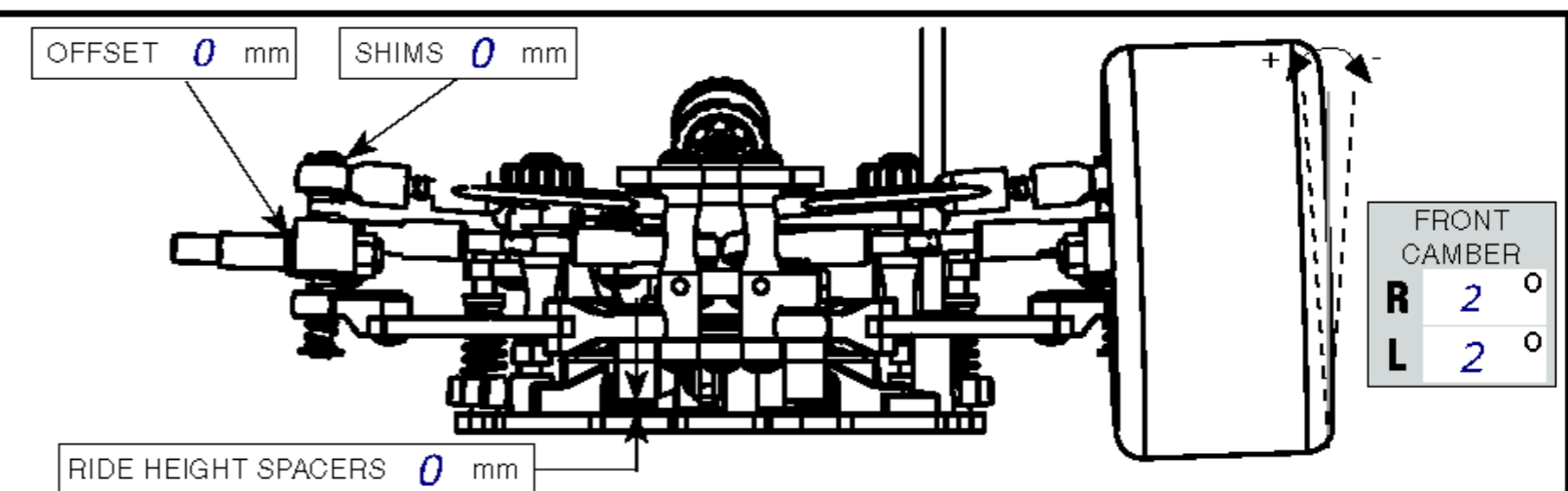
AERODYNAMIC CONFIGURATION

BODY
 Brand *WRC* Type *03*

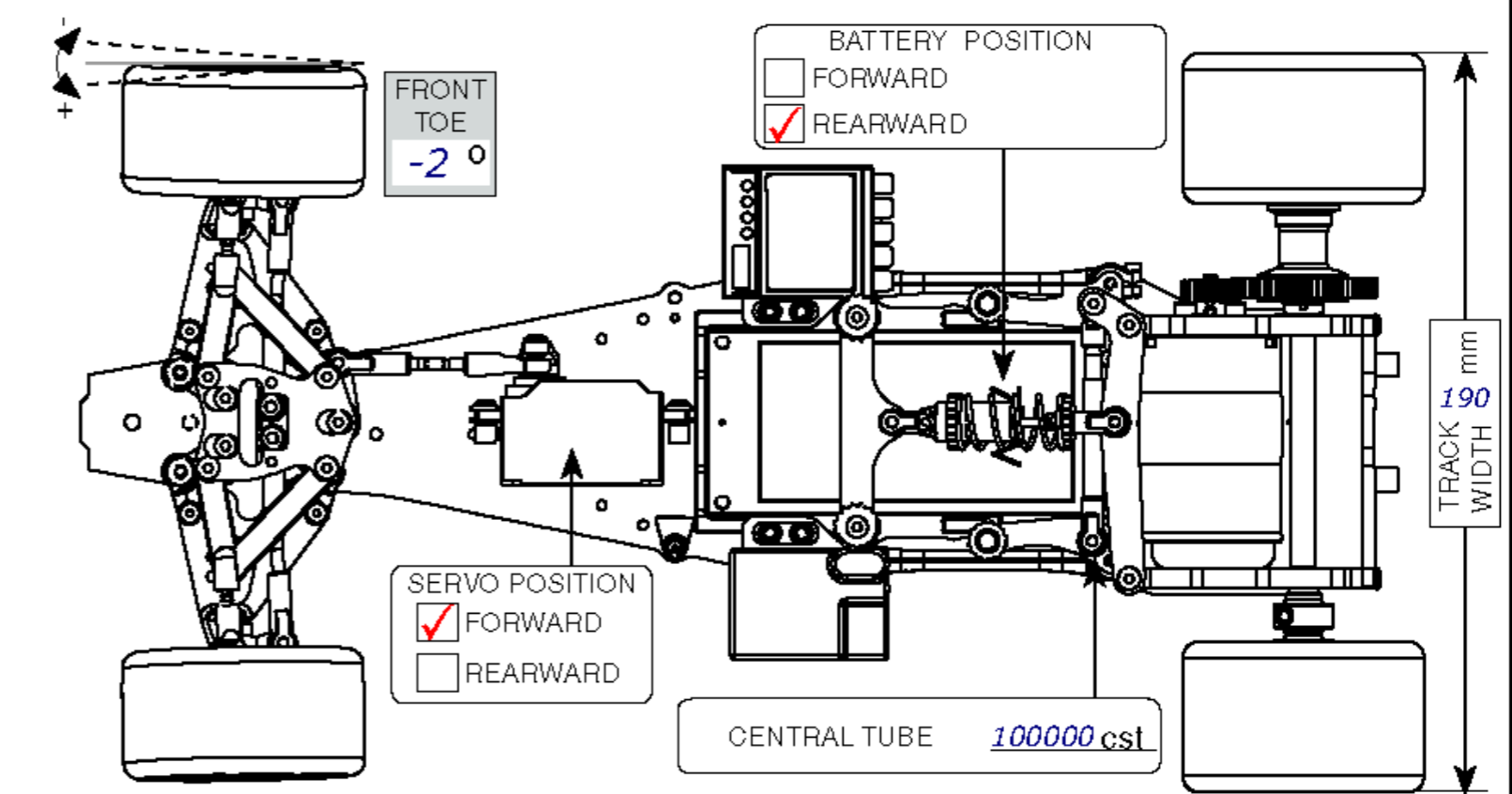
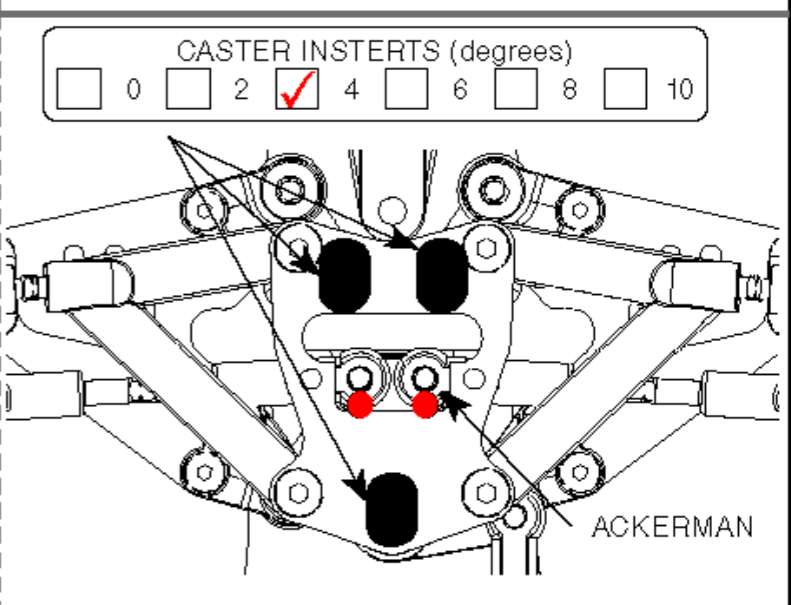
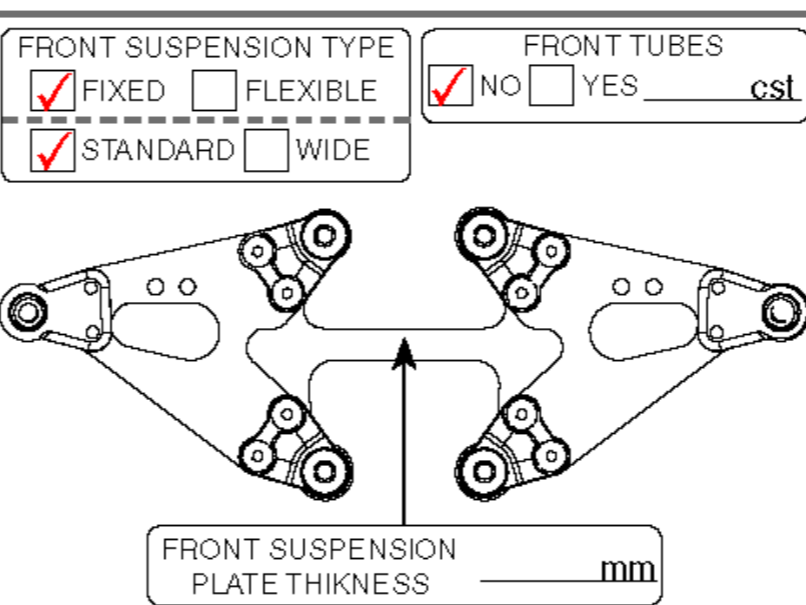
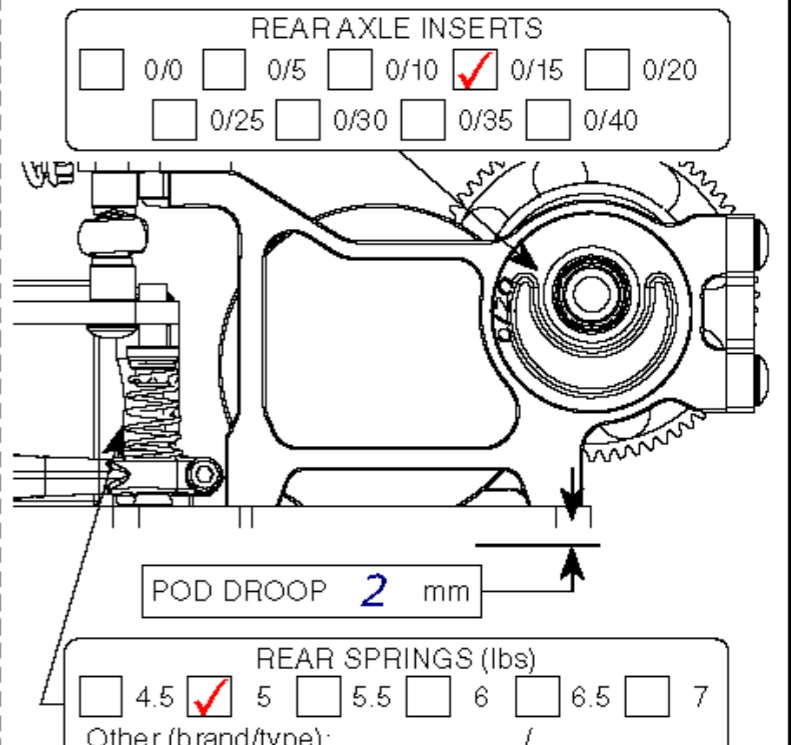
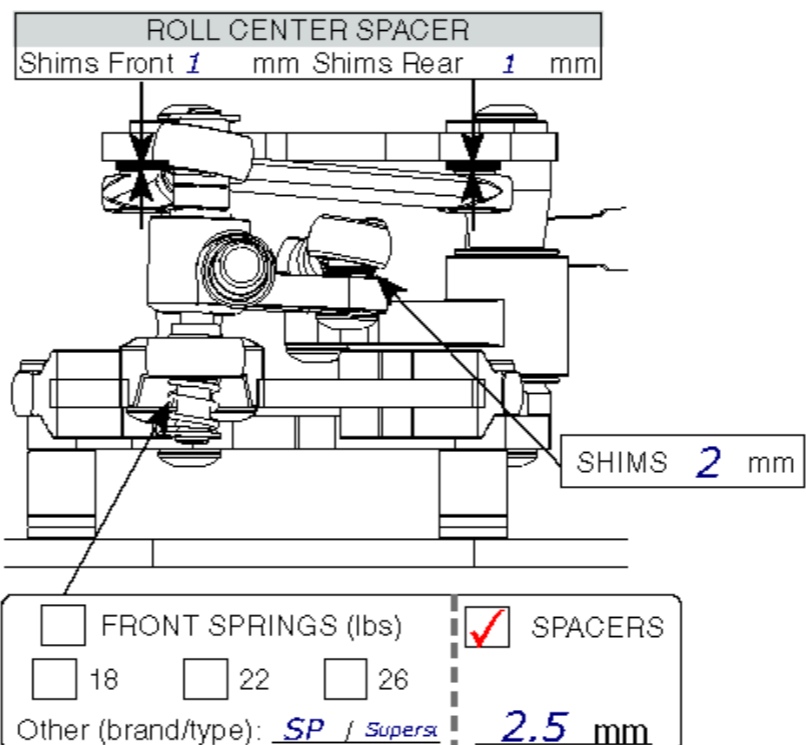
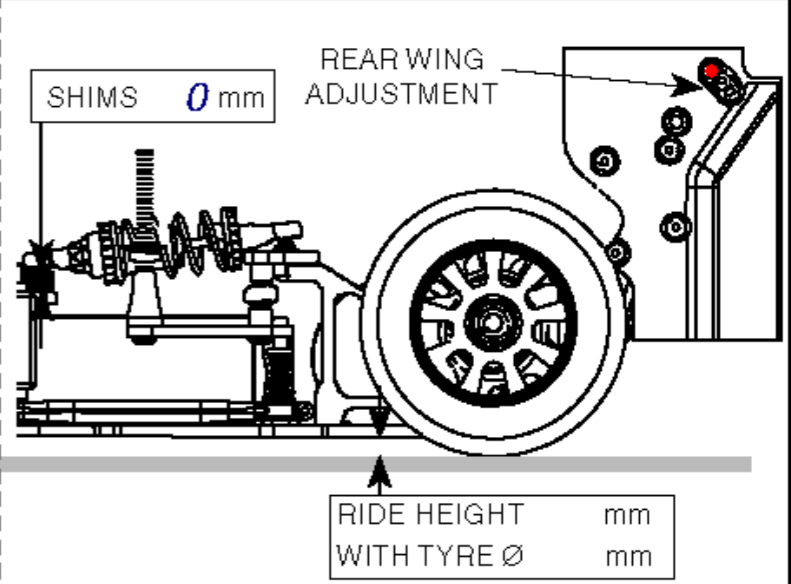
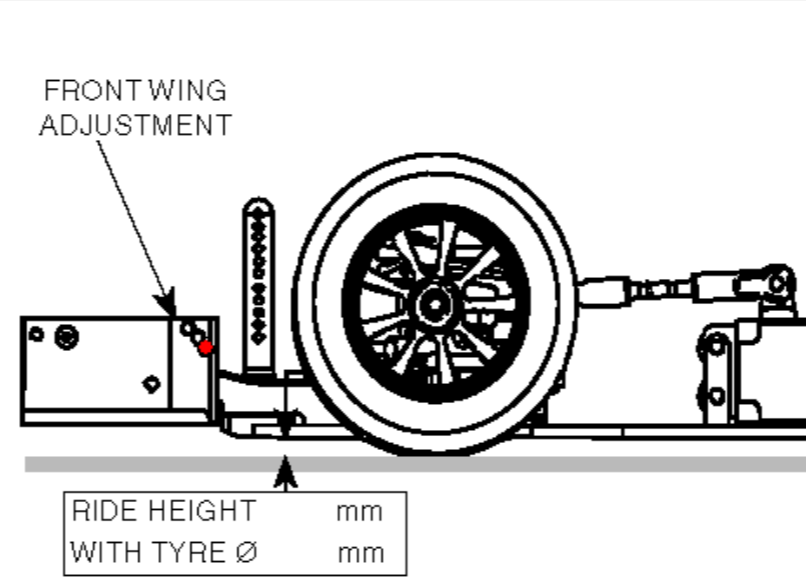
FRONT WING
 Brand *Serpent* Type *kit*

REAR WING
 Brand *Serpent* Type *wide*

REMARKS
use the kingpin insert reversed electronics in front of the Lipo



FRONT CAMBER
 R *2* °
 L *2* °



Source:



www.PetitRC.com