

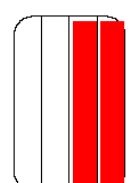
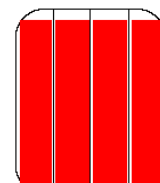
F101 Setup Sheet

Capricorn RC

Event	Practice	Date	07/02/2016
Track	Angiolinominispeedway	Qualifying	
Driver	Vittoria Fenili	Best Lap	13.9 /sec
City	Brescia	Final	
Country		Race Length	
Contact			

Surface	<input type="checkbox"/> Carpet	<input checked="" type="checkbox"/> Asphalt	<input checked="" type="checkbox"/> Indoor	<input type="checkbox"/> Outdoor
Layout	<input checked="" type="checkbox"/> Technical	<input type="checkbox"/> Mixed	<input type="checkbox"/> Fast	
Traction	<input type="checkbox"/> Low	<input checked="" type="checkbox"/> Medium	<input type="checkbox"/> High	

Center Shock Absorber	Side Shock
Spring: xray 2.5	Oil: 20000 /CST
Piston: 3 holes	Rebound: 0 %
Oil: 600 /CST	

Front	Rear
Tires: Ride R1	Tires: Ride R1
Additive: hudy carpet	Additive: hudy carpet
Time: <input type="text"/>	Time: <input type="text"/>
	
Additive Treated Area	

Differential Setting

Loose Medium Tight

Gearing

Pinion: **30** /T Spur Gear: **90** /T Ratio: **3**

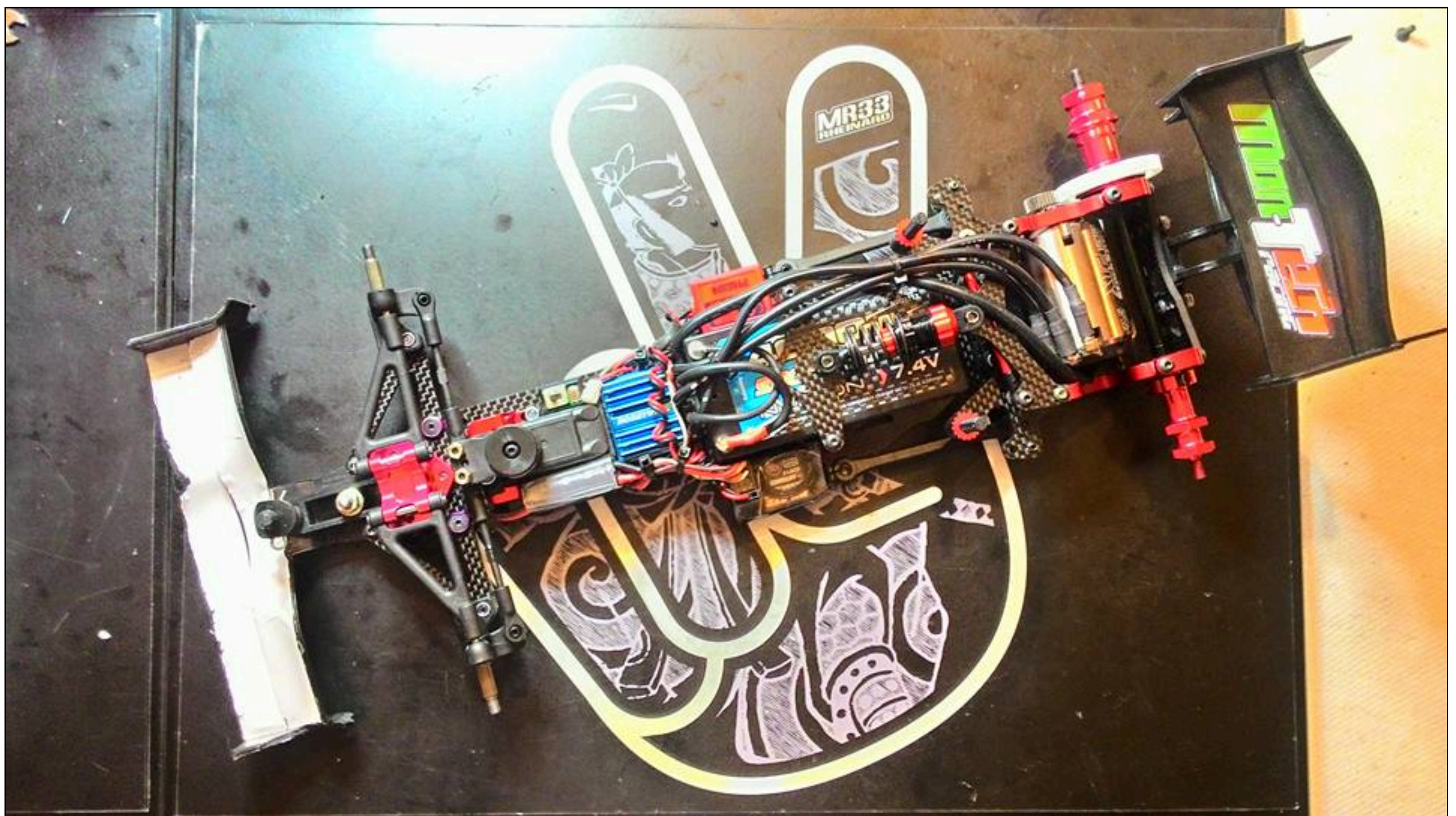
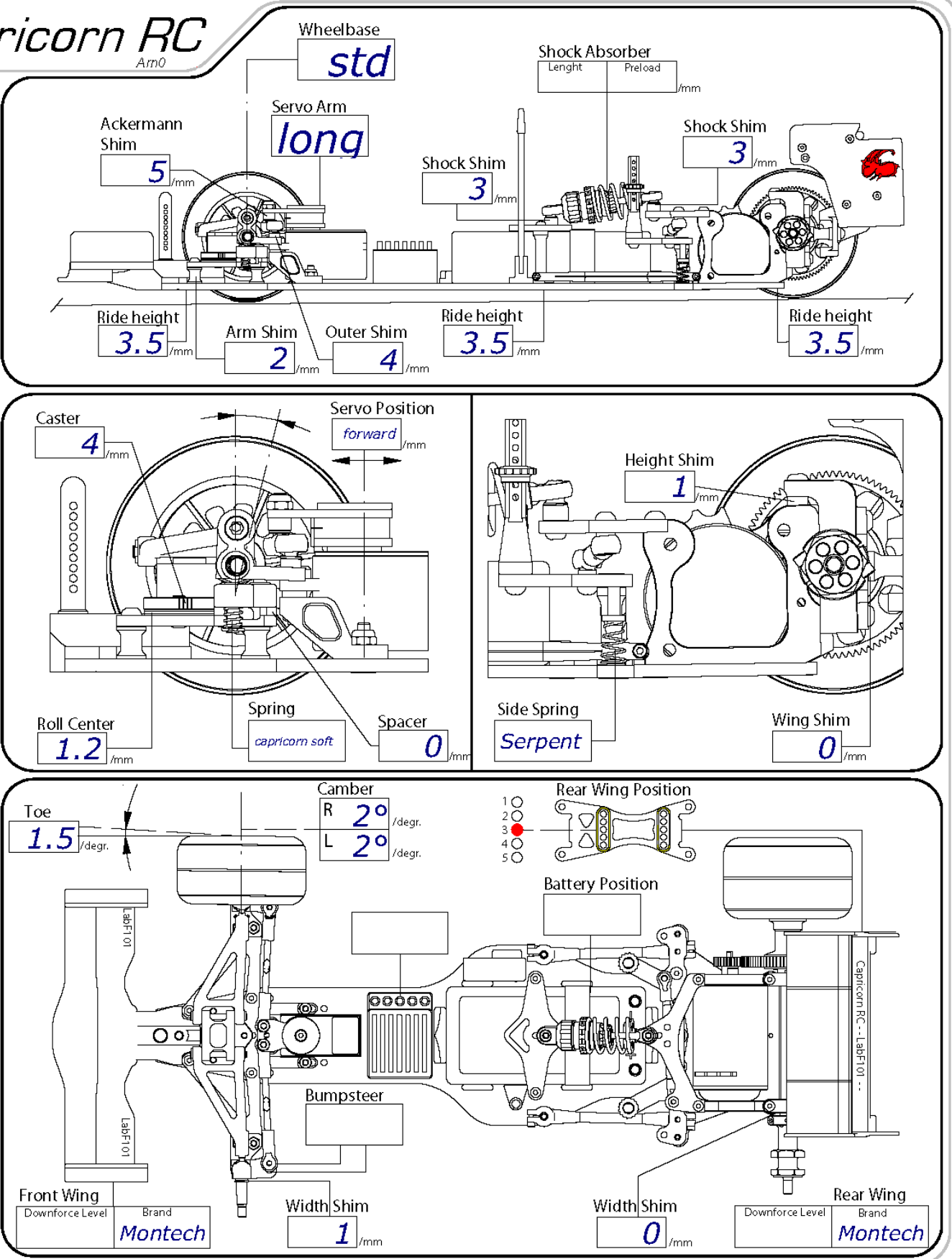
Motor: **LRP x12 21.5T**

ESC: **Hobbywing justock**

Battery: **xtreme power 4600**

Body: **Montech F15**

Notes:



Source:

A. Fenili



www.PetitRC.com