

F101 DEFAULT SET-UP SHEET

Capricorn RC

RACE	<input type="text"/>	DATE	<input type="text"/>
TRACK	<input type="text"/>	QUALIFYING POSITION	<input type="text"/>
NAME	<input type="text"/>	BEST LAP	<input type="text"/> /sec
CITY/COUNTRY	<input type="text"/>	RACE POSITION	<input type="text"/>
CONTACT	<input type="text"/>	RACE LENGTH	<input type="text"/> /min

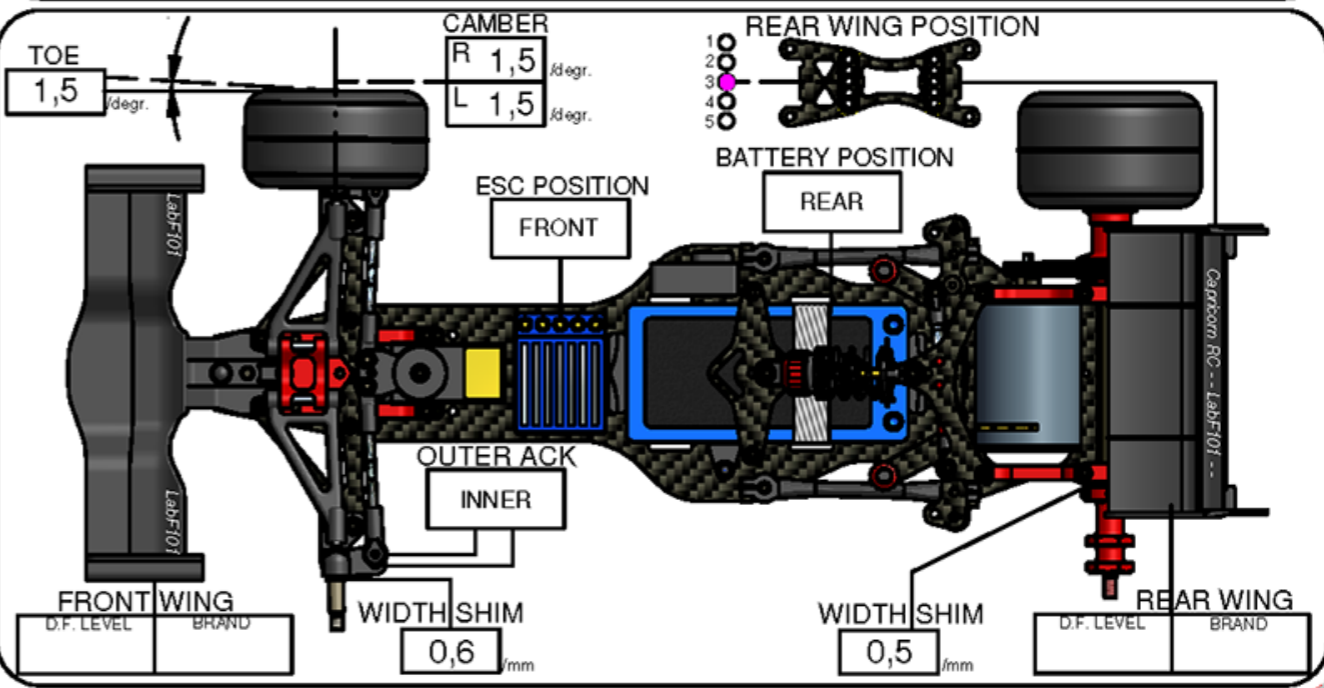
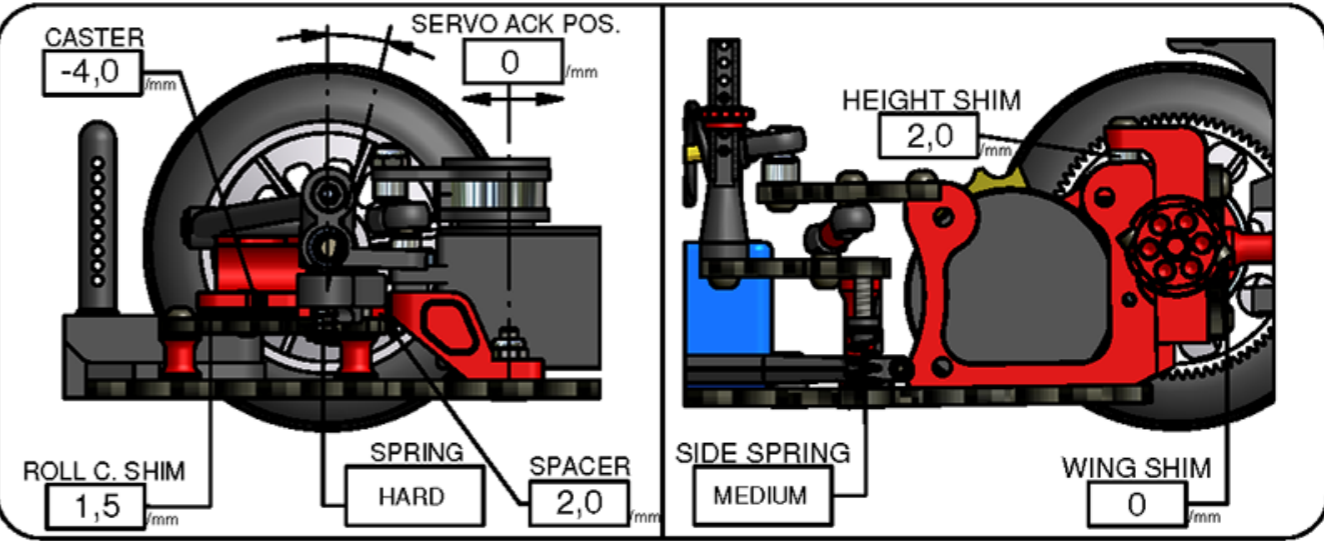
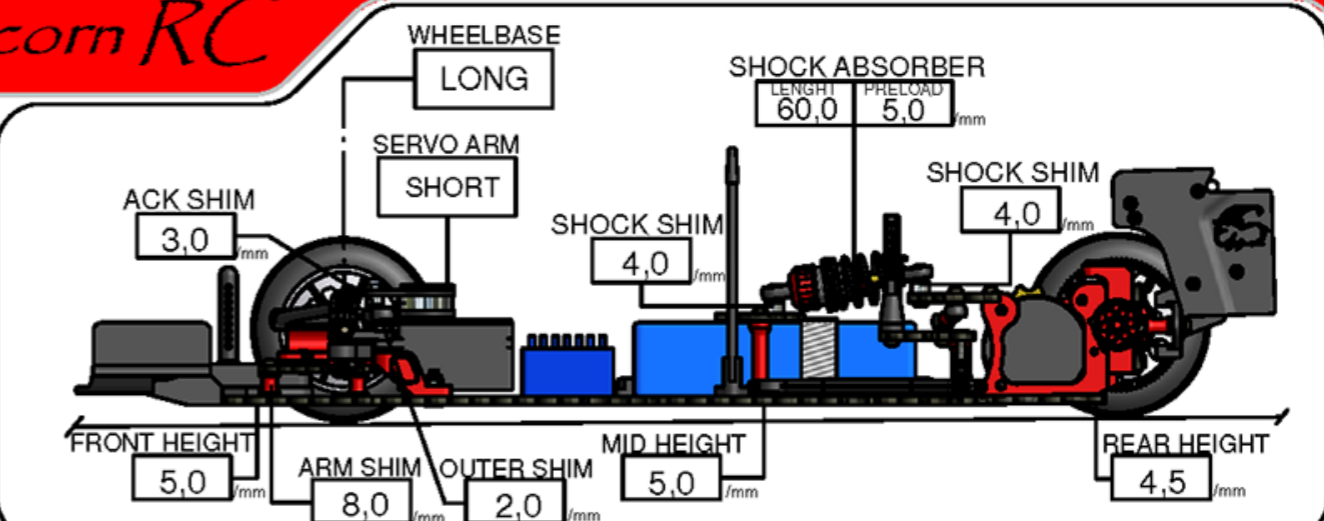
TRACK SURFACE	<input type="checkbox"/> CARPET	<input checked="" type="checkbox"/> ASPHALT	
TRACK LAYOUT	<input type="checkbox"/> TECHNICAL	<input checked="" type="checkbox"/> MIXED	<input type="checkbox"/> FAST
TRACTION	<input type="checkbox"/> LOW	<input checked="" type="checkbox"/> MEDIUM	<input type="checkbox"/> HIGH

CENTER SHOCK ABSORBER				SIDE SHOCK	
BLUE	8	2.000	30	15.000	
SPRING	HOLE	OIL	REBOUND	OIL	

FRONT	REAR	DIFF. SETTING		
<input type="text"/>	<input type="text"/>	<input type="checkbox"/> LOOSE	<input checked="" type="checkbox"/> MEDIUM	<input type="checkbox"/> TIGHT
TIRES	<input type="text"/>	GEARING		
ADDITIVE	<input type="text"/>	30	90	3.00
ADD. TIMING	<input type="text"/>	PINION	SPUR GEAR	DRIVE RATIO
ADDITIVE TREATED AREA		MOTOR		
<input type="text"/>		<input type="text"/>		
<input type="text"/>		ESC		
<input type="text"/>		<input type="text"/>		
<input type="text"/>		BATTERY		
<input type="text"/>		<input type="text"/>		
<input type="text"/>		BODY		
<input type="text"/>		<input type="text"/>		

- NOTES -

Made in Italy

Source:



www.PetitRC.com