

NAME \_\_\_\_\_  
 DATE \_\_\_\_\_  
 TRACK \_\_\_\_\_

**TRACK CONDITION**

SURFACE  SMOOTH  MEDIUM  BUMPY  
 SIZE  TIGHT  MEDIUM  FAST  
 TRACTION  LOW  MEDIUM  HIGH

**TRANSMISSION**

FRONT  SOLID AXLE  
 GEAR DIFFERENTIAL  
 REAR  GEAR DIFFERENTIAL

PINION \_\_\_\_\_ SPUR GEAR \_\_\_\_\_  
 FINAL DRIVE RATIO \_\_\_\_\_

**SHOCKS**

SPRINGS:	FRONT	REAR
BLACK	<input type="checkbox"/>	<input type="checkbox"/>
YELLOW	<input type="checkbox"/>	<input checked="" type="checkbox"/>
RED	<input checked="" type="checkbox"/>	<input type="checkbox"/>
BLUE	<input type="checkbox"/>	<input type="checkbox"/>
FUCHSIA	<input type="checkbox"/>	<input type="checkbox"/>
GREEN	<input type="checkbox"/>	<input type="checkbox"/>

**OIL:**

	FRONT	REAR
200	<input checked="" type="checkbox"/>	<input checked="" type="checkbox"/>
400	<input type="checkbox"/>	<input type="checkbox"/>
600	<input type="checkbox"/>	<input type="checkbox"/>
800	<input type="checkbox"/>	<input type="checkbox"/>
1000	<input type="checkbox"/>	<input type="checkbox"/>

**PISTON:**

1 HOLE    
 2 HOLES

LENGHT /mm \_\_\_\_\_  
 PRELOAD /mm \_\_\_\_\_  
 REBOUND % \_\_\_\_\_

**ANTI-ROLL BAR**

FRONT  1.3mm  1.4mm  1.5mm  
 REAR  1.1mm  1.2mm  1.3mm

**ROLL CENTER FRONT**

+ 1mm  
 + 0.5mm  
 0.0mm  
 - 0.5mm  
 - 1mm

**FRONT RIDE HEIGHT**

5mm  
 /mm

**TOE**

+ 1mm  
 /mm

**ROLL CENTER FRONT**

2.5mm = 2.5°

**REAR CAMBER**

1.5°

HIGH MEDIUM LOW  
    
 1 2 3

**ROLL CENTER REAR**

+ 1mm  
 + 0.5mm  
 0.0  
 - 0.5mm  
 - 1mm

**REAR RIDE HEIGHT**

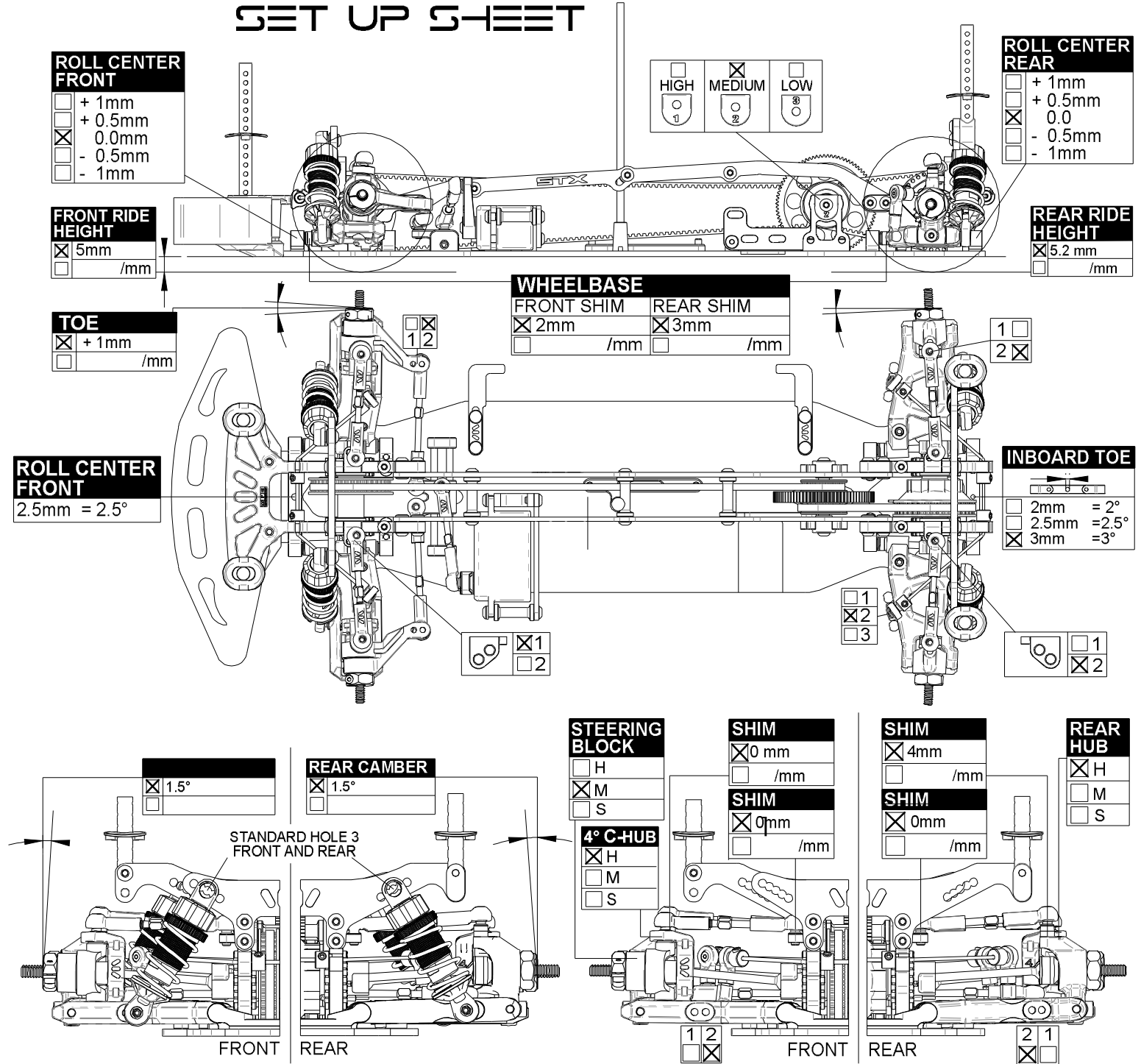
5.2mm  
 /mm

**WHEELBASE**

FRONT SHIM  2mm /mm  
 REAR SHIM  3mm /mm

**INBOARD TOE**

2mm = 2°  
 2.5mm = 2.5°  
 3mm = 3°



**STEERING BLOCK**

H  
 M  
 S

**SHIM**

0mm /mm

**SHIM**

0mm /mm

**SHIM**

4mm /mm

**SHIM**

0mm /mm

**REAR HUB**

H  
 M  
 S

**4° C-HUB**

H  
 M  
 S

